

User Manual

PV Grid-Connected Inverter

SG110CX / SG110CX-20 / SG110CX-NI



All Rights Reserved

All Rights Reserved

No part of this document can be reproduced in any form or by any means without the prior written permission of Sungrow Power Supply Co., Ltd (hereinafter "SUNGROW").

Trademarks

SUNGROW and other Sungrow trademarks used in this manual are owned by SUNGROW.

All other trademarks or registered trademarks mentioned in this manual are owned by their respective owners.

Software Licenses

- It is prohibited to use data contained in firmware or software developed by SUNGROW, in part or in full, for commercial purposes by any means.
- It is prohibited to perform reverse engineering, cracking, or any other operations that compromise the original program design of the software developed by SUNGROW.

About This Manual

The manual mainly contains the product information, as well as guidelines for installation, operation, and maintenance. The manual does not include complete information about the photovoltaic (PV) system. Readers can get additional information at www.sungrowpower.com or on the webpage of the respective component manufacturer.

Validity

This manual is valid for the following model of low-power grid-connected PV string inverters:

- SG110CX
- SG110CX-20
- SG110CX-NI

It will be referred to as "inverter" hereinafter unless otherwise specified.

Target Group

This manual is intended for professional technicians who are responsible for installation, operation, and maintenance of inverters, and users who need to check inverter parameters.

The inverter must only be installed by professional technicians. The professional technician is required to meet the following requirements:

- Know electronic, electrical wiring and mechanical expertise, and be familiar with electrical and mechanical schematics.
- Have received professional training related to the installation and commissioning of electrical equipment.
- Be able to quickly respond to hazards or emergencies that occur during installation and commissioning.
- Be familiar with local standards and relevant safety regulations of electrical systems.
- Read this manual thoroughly and understand the safety instructions related to operations.

How to Use This Manual

Please read this manual carefully before using the product and keep it properly at a place for easy access.

All contents, pictures, marks, and symbols in this manual are owned by SUNGROW. No part of this document may be reprinted by the non-internal staff of SUNGROW without written authorization.

Contents of this manual may be periodically updated or revised, and the actual product purchased shall prevail. Users can obtain the latest manual from support.sungrowpower.com or sales channels.

Symbols

This manual contains important safety instructions, which are highlighted with the following symbols, to ensure personal and property safety during usage, or to help optimize the product performance in an efficient way.

Please carefully understand the meaning of these warning symbols to better use the manual.

DANGER

Indicates high-risk potential hazards that, if not avoided, may lead to death or serious injury.

WARNING

Indicates moderate-risk potential hazards that, if not avoided, may lead to death or serious injury.

CAUTION

Indicates low-risk potential hazards that, if not avoided, may lead to minor or moderate injury.

NOTICE

Indicates potential risks that, if not avoided, may lead to device malfunctions or financial losses.



“NOTE” indicates additional information, emphasized contents or tips that may be helpful, e.g., to help you solve problems or save time.

Contents

All Rights Reserved.....	I
About This Manual.....	II
1 Safety Instructions.....	1
1.1 Unpacking and Inspection.....	2
1.2 Installation Safety.....	3
1.3 Electrical Connection Safety.....	3
1.4 Operation Safety.....	5
1.5 Maintenance Safety.....	6
1.6 Disposal Safety.....	7
2 Product Description.....	8
2.1 System Introduction.....	8
2.2 Product Introduction.....	9
2.3 Symbols on Product.....	11
2.4 LED Indicator.....	12
2.5 DC Switch.....	12
2.6 Circuit Diagram.....	13
2.7 Function Description.....	13
3 Unpacking and Storage.....	16
3.1 Unpacking and Inspection.....	16
3.2 Scope of Delivery.....	17
3.3 Inverter Storage.....	17
4 Mechanical Mounting.....	19
4.1 Safety During Mounting.....	19
4.2 Location Requirements.....	20
4.2.1 Installation Environment Requirements.....	20
4.2.2 Carrier Requirements.....	22
4.2.3 Angle Requirements.....	22
4.2.4 Clearance Requirements.....	23

4.3	Installation Tools.....	24
4.4	Moving the Inverter.....	25
4.4.1	Manual Transport.....	26
4.4.2	Hoisting Transport.....	26
4.5	Installing Mounting-bracket.....	28
4.5.1	PV Bracket-Mounted Installation.....	28
4.5.2	Wall-Mounted Installation.....	29
4.6	Installing the Inverter.....	30
5	Electrical Connection.....	32
5.1	Safety Instructions.....	32
5.2	Terminal Description.....	34
5.3	Electrical Connection Overview.....	36
5.4	Crimp OT/DT terminal.....	38
5.5	External Protective Grounding Connection.....	39
5.5.1	External Protective Grounding Requirements.....	40
5.5.2	Connection Procedure.....	40
5.6	Opening the Wiring Compartment.....	41
5.7	AC Cable Connection.....	42
5.7.1	AC Side Requirements.....	42
5.7.2	Requirements for OT/DT Terminal.....	44
5.7.3	Connection Procedure(For a multi-core cable).....	44
5.7.4	Connection Procedure(L1/L2/L3/N, For four single-core cables).....	48
5.7.5	Connection Procedure(L1/L2/L3/PE, For four single-core cables).....	50
5.8	DC Cable Connection.....	53
5.8.1	PV Input Configuration.....	55
5.8.2	Assembling PV Connectors.....	56
5.8.3	Installing PV Connector.....	58
5.9	RS485 Connection.....	59
5.9.1	Interface Description.....	59
5.9.2	RS485 Communication System.....	61
5.9.3	Connection Procedure(Terminal Block).....	63
5.9.4	Connection Procedure (RJ45 Ethernet Port).....	64
5.10	Dry Contact Connection.....	66
5.10.1	Dry Contact Function.....	66

5.10.2 Wiring Procedure.....	68
5.11 DRM Connection (For Countries “AU” and “NZ”)	68
5.11.1 DRM Function.....	68
5.11.2 Connection Procedure.....	69
5.12 Closing the Wiring Compartment.....	70
5.13 Communication Module Connection (optional).....	71
6 Commissioning.....	73
6.1 Inspection Before Commissioning.....	73
6.2 Commissioning Procedure.....	73
7 iSolarCloud App.....	75
7.1 Brief Introduction.....	75
7.2 Installing App.....	75
7.3 Function Overview.....	76
7.4 Login.....	76
7.4.1 Requirements.....	76
7.4.2 Login Procedure.....	77
7.5 Home.....	81
7.6 Run Information.....	83
7.7 Records.....	85
7.8 More.....	87
7.8.1 System Parameters.....	87
7.8.2 Operation Parameters.....	88
7.8.3 Power Regulation Parameters.....	90
7.8.4 Communication Parameters.....	94
7.8.5 Firmware Update.....	95
7.8.6 Grounding Detection.....	96
7.8.7 Password Changing.....	97
8 System Decommissioning.....	98
8.1 Disconnecting Inverter.....	98
8.2 Dismantling the Inverter.....	98
8.3 Disposal of Inverter.....	99
9 Troubleshooting and Maintenance.....	100
9.1 Troubleshooting.....	100
9.2 Maintenance.....	109

9.2.1 Maintenance Notices.....	109
9.2.2 Routine Maintenance.....	110
9.2.3 Cleaning Air Inlet and Outlet.....	111
9.2.4 Fan Maintenance.....	111
10 Appendix.....	114
10.1 Technical Data.....	114
10.2 Wring Distance of DI Dry Contact.....	119
10.3 Quality Assurance.....	120
10.4 Declaration of Conformity.....	121
10.5 Contact Information.....	121

1 Safety Instructions

When installing, commissioning, operating, and maintaining the product, strictly observe the labels on the product and the safety requirements in the manual. Incorrect operation or work may cause:

- Injury or death to the operator or a third party.
- Damage to the product and other properties.

WARNING

- **Do not perform any operation on the product (including but not limited to, handling, installing, powering on, or maintaining the product, performing electrical connection, and working at heights) in harsh weather conditions, such as thunder and lightning, rain, snow, and Level 6 or stronger winds. SUNGROW shall not be held liable for any damage to the device due to force majeure, such as earthquakes, floods, volcanic eruptions, mudslides, lightning strikes, fires, wars, armed conflicts, typhoons, hurricanes, tornadoes, and other extreme weathers.**
- **In case of fire, evacuate from the building or product area and call the fire alarm. Re-entry into the burning area is strictly prohibited under any circumstances.**

NOTICE

- **Tighten the screws with the specified torque using tools when fastening the product and terminals. Otherwise, the product may be damaged. And the damage caused is not covered by the warranty.**
- **Learn how to use tools correctly before using them to avoid hurting people or damaging the device.**
- **Maintain the device with sufficient knowledge of this manual and use proper tools.**



- The safety instructions in this manual are only supplements and cannot cover all the precautions that should be followed. Perform operations considering actual onsite conditions.
- SUNGROW shall not be held liable for any damage caused by violation of general safety operation requirements, general safety standards, or any safety instruction in this manual.
- When installing, operating, and maintaining the product, comply with local laws and regulations. The safety precautions in this manual are only supplements to local laws and regulations.
- During the product transport, installation, wiring, maintenance, etc., the materials and tools prepared by users must meet the requirements of applicable local laws and regulations, safety standards, and other specifications. SUNGROW shall not be held liable for any damage to the product caused by the adoption of materials and tools that fail to meet the above-mentioned requirements.
- Operations on the product, including but not limited to, handling, installing, wiring, powering on, maintenance, and use of the product, must not be performed by unqualified personnel. SUNGROW shall not be held liable for any damage to the product resulting from operations done by unqualified personnel.
- Where the transport of the product is arranged by users, SUNGROW shall not be held liable for any damage to the product that is caused by users themselves or the third-party transport service providers designated by the users.
- SUNGROW shall not be held liable for any damage to the product caused by the negligence, intent, fault, improper operation, and other behaviors of users or third-party organizations.
- SUNGROW shall not be held liable for any damage to the product arising from reasons unrelated to SUNGROW.

1.1 Unpacking and Inspection

WARNING

- **Check all safety signs, warning labels and nameplates on devices.**
- **The safety signs, warning labels and nameplates must be clearly visible and cannot be removed or covered before the device is decommissioned.**

NOTICE

After receiving the product, check whether the appearance and structural parts of the device are damaged, and check whether the packing list is consistent with the actual ordered product. If there are problems with the above inspection items, do not install the device and contact your distributor first. If the problem persists, contact SUNGROW in time.

1.2 Installation Safety

⚠ DANGER

- Make sure there is no electrical connection before installation.
- Before drilling, avoid the water and electricity wiring in the wall.

⚠ CAUTION

Improper installation may cause personal injury!

- If the product supports hoisting transport and is hoisted by hoisting tools, no one is allowed to stay under the product.
- When moving the product, be aware of the product weight and keep the balance to prevent it from tilting or falling.

NOTICE

Before operating the product, must check and ensure that tools to be used have been maintained regularly.

1.3 Electrical Connection Safety

⚠ DANGER

- Before electrical connections, please make sure that the inverter is not damaged, otherwise it may cause danger!
- Before electrical connections, please make sure that the inverter switch and all switches connected to the inverter are set to "OFF", otherwise electric shock may occur!

 DANGER

The PV string will generate lethal high voltage when exposed to sunlight.

- Operators must wear proper personal protective equipment during electrical connections.
- Must ensure that cables are voltage-free with a measuring instrument before touching DC cables.
- Respect all safety instructions listed in relevant documents about PV strings.
- The inverter must not be connected to a PV string that requires positive or negative grounding.

 DANGER

Danger to life due to a high voltage inside the inverter!

- Be sure to use special insulation tools during cable connections.
- Note and observe the warning labels on the product, and perform operations strictly following the safety instructions.
- Respect all safety instructions listed in this manual and other pertinent documents.

 WARNING

Damage to the product caused by incorrect wiring is not covered by the warranty.

- Electrical connection must be performed by professionals.
- All cables used in the PV generation system must be firmly attached, properly insulated, and adequately dimensioned.

⚠ WARNING

- Check the positive and negative polarity of the PV strings, and connect the PV connectors to corresponding terminals only after ensuring polarity correctness.
- During the installation and operation of the inverter, please ensure that the positive or negative poles of PV strings do not short-circuit to the ground. Otherwise, an AC or DC short-circuit may occur, resulting in equipment damage. The damage caused by this is not covered by the warranty.
- Do not connect any load between the inverter and the AC circuit breaker directly connected to it, so as to prevent the switch from tripping by mistake.
- Determine the specifications of AC switch strictly in compliance with the applicable local laws and regulations and safety standards or the recommendation by SUNGROW. Otherwise, the switch may not open in time in the event of something abnormal, which may then lead to safety incidents.

NOTICE

Comply with the safety instructions related to PV strings and the regulations related to the local grid.

1.4 Operation Safety

⚠ DANGER

When routing cables, ensure a distance of at least 30 mm between the cables and heat-generating components or areas to protect the insulation layer of cables from aging and damage.

When the product is working:

- Do not touch the product enclosure.
- It is strictly forbidden to plug and unplug any connector on the inverter.
- Do not touch any wiring terminal of the inverter. Otherwise, electric shock may occur.
- Do not disassemble any parts of the inverter. Otherwise, electric shock may occur.
- It is strictly forbidden to touch any hot parts of the inverter (such as the heat sink). Otherwise, it may cause burns.
- Do not connect or remove any PV string or any PV module in a string. Otherwise, electric shock may occur.
- If the inverter is equipped with a DC switch, do not operate it. Otherwise, it may cause device damage or personal injury.

1.5 Maintenance Safety

DANGER

Risk of inverter damage or personal injury due to incorrect service!

- Before maintenance, disconnect the AC circuit breaker on the grid side and then the DC switch. If a fault that may cause personal injury or device damage is found before maintenance, disconnect the AC circuit breaker and wait until the night before operating the DC switch. Otherwise, a fire inside the product or an explosion may occur, causing personal injuries.
- After the inverter is powered off for 5 minutes, measure the voltage and current with professional instrument. Only when there is no voltage nor current can operators who wear protective equipment operate and maintain the inverter.
- Even if the inverter is shut down, it may still be hot and cause burns. Wear protective gloves before operating the inverter after it cools down.

DANGER

Touching the power grid or the contact points and terminals on the inverter connected to the power grid may lead to electric shock!

- The power grid side may generate voltage. Always use a standard voltmeter to ensure that there is no voltage before touching.

CAUTION

To prevent misuse or accidents caused by unrelated personnel, post prominent warning signs or demarcate safety warning areas around the product.

NOTICE

To avoid the risk of electric shock, do not perform any other maintenance operations beyond those described in this manual. If necessary, contact your distributor first. If the problem persists, contact SUNGROW. Otherwise, the losses caused is not covered by the warranty.

NOTICE

- If the paint on the inverter enclosure falls or rusts, repair it in time. Otherwise, the inverter performance may be affected.
- Do not use cleaning agents to clean the inverter. Otherwise, the inverter may be damaged, and the loss caused is not covered by the warranty.
- As the inverter contains no parts that can be maintained, never open the enclosure of the inverter or replace any internal components without authorization. Otherwise, the loss caused is not covered by the warranty.
- Do not open the maintenance door in rainy or snowy weather. If it is inevitable, take proper protective measures to avoid the ingress of rainwater and snow into the maintenance compartment; otherwise, the product's operation may be affected.
- Before closing the maintenance door, check whether there is any object left inside the maintenance compartment, such as screws, tools, etc.
- It is recommended for users to use cable sheathing to protect the AC cable. If the cable sheathing is used, make sure it is positioned inside the maintenance compartment.

1.6 Disposal Safety

 WARNING

Please scrap the product in accordance with relevant local regulations and standards to avoid property losses or casualties.

2 Product Description

2.1 System Introduction

The inverter is a transformerless 3-phase PV grid-connected inverter. As an integral component in the PV power system, the inverter is designed to convert the direct current power generated from the PV modules into grid-compatible AC current and to feed the AC current into the utility grid.

The intended usage of the inverter is illustrated in the following figure.

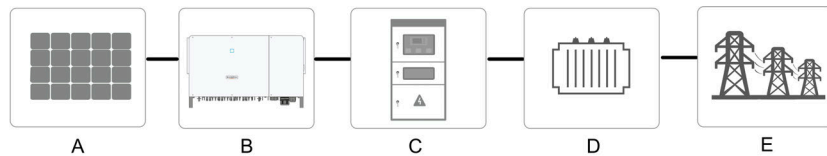


figure 2-1 Inverter Application in PV Power System

WARNING

The PV modules in the system must comply with the IEC 61730-1 (2016) class II standard.

When designing the system, ensure that the operating ranges of all devices that are connected to the inverter meet the requirements of the inverter.

The inverter must not be connected to a PV string that requires positive or negative grounding.

Do not connect any local load between the inverter and the AC circuit breaker.

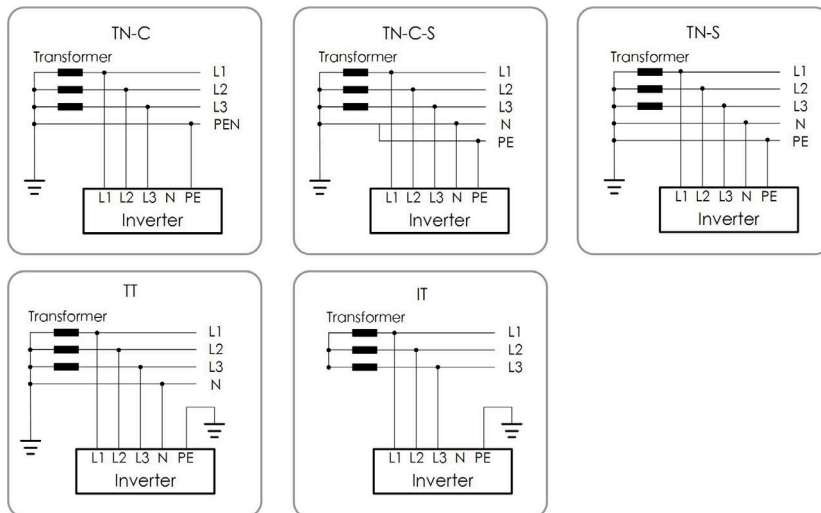
NOTICE

The inverter applies only to the scenarios described in this manual.

Item	Description	Note
A	PV strings	Monocrystalline silicon, polycrystalline silicon and thin-film without grounding.
B	Inverter	SG110CX, SG110CX-20, SG110CX-NI.
C	Grid connection cabinet	Includes devices such as AC circuit breaker, SPD, metering device.
D	Transformer	Boost the low voltage from the inverter to grid-compatible medium voltage.

Item	Description	Note
E	Utility grid	TN-C, TN-S, TN-C-S, TT, IT.

The following figure shows the common grid configurations.



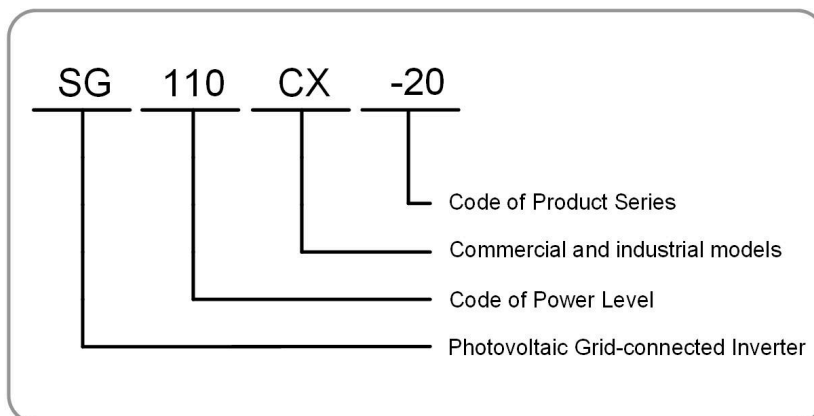
NOTICE

In a TT power grid, the N-PE voltage should be lower than 30 V.

2.2 Product Introduction

Model Description

The model description is as follows(Take SG110CX-20 as an example):



Appearance

The following figure shows the appearance of the inverter. The image shown here is for reference only. The actual product received may differ.

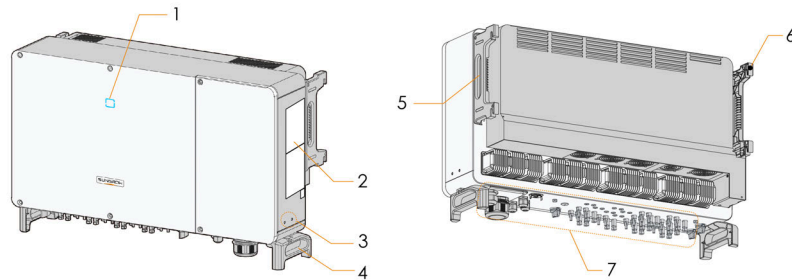


figure 2-2 Inverter Appearance

* The image shown here is for reference only. The actual product received may differ.

No.	Name	Description
1	LED indicator panel	HMI interface to indicate the present working state of the inverter.
2	Labels	Warning symbols, nameplate, and QR code.
3	External protective grounding terminals	2, use at least one of them to ground the inverter.
4	Bottom handles	2, used to move the inverter.
5	Side handles	2, used to move the inverter.
6	Mounting lugs	4, used to hang the inverter onto the mounting-bracket.
7	Wiring area	DC switches, DC terminals, and communication terminals. For details, refer to 5.2 Terminal Description

Dimensions

The following figure shows the dimensions of the inverter.

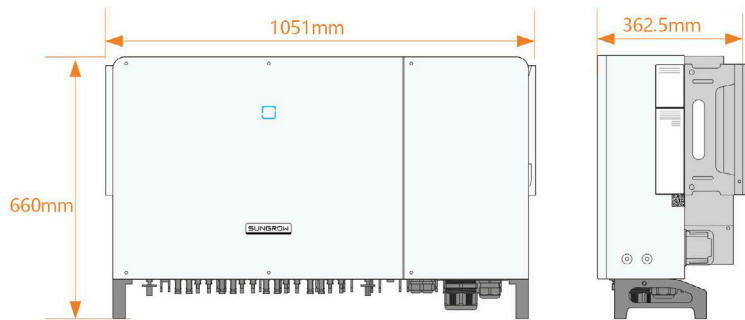












figure 2-3 Product Dimensions(in mm)

* The image shown here is for reference only. The actual product received may differ.

2.3 Symbols on Product




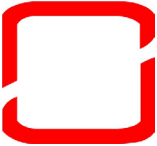

Symbol	Explanation
	Do not dispose of the inverter together with household waste.
	TÜV mark of conformity.
	CE mark of conformity. EU/EEA Importer.
	Regulatory compliance mark.
	CGC-SOLAR mark of conformity.
	Danger to life due to high voltages! Only qualified personnel can open and service the inverter.
	Disconnect the inverter from all the external power sources before maintenance!
	Burn danger due to the hot surface that may exceed 60°C.
	Do not touch live parts for 5 minutes after disconnection from the power sources.
	Read the user manual before maintenance!

* The table shown here is for reference only. The actual product received may differ.

2.4 LED Indicator

The LED indicator on the front of the inverter indicates the working state of the inverter.

table 2-1 LED Indicator State Description

LED Color	State	Definition
 Blue	On	The device is connected to the grid and operating normally.
	Fast blink (Period: 0.2s)	The Bluetooth connection is established, and there is data communication.  No system fault occurs.
	Slow blink (Period: 2s)	The device is in standby or startup state (not feeding power into the grid). 
 Red	On	A fault occurs and the device cannot connect to the grid.
	Blink	The Bluetooth connection is established, data communication in process, and a system fault occurs.
 Gray	OFF	Both the AC and DC sides are powered down.

WARNING

Voltage may still be present in AC side circuits after the indicator is off. Pay attention to the electricity safety when operating.

2.5 DC Switch

The DC switch is used to disconnect the DC current safely whenever necessary.

The SG110CX-NI is not equipped with DC switch.

The SG110CX/SG110CX-20 is equipped with three DC switches, and each DC switch controls its corresponding DC terminals.



Turn the DC switches to the ON position before restarting the inverter.

2.6 Circuit Diagram

The following figure shows the main circuit of the inverter.

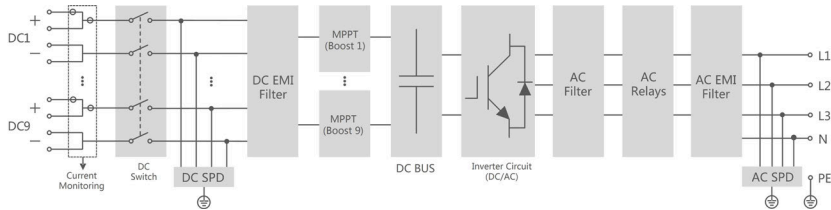


figure 2-4 Circuit Diagram

- The DC SPD provides a discharge circuit for the DC side overvoltage to prevent it from damaging the internal circuits of the inverter.
- EMI filters can filter out the electromagnetic interference inside the inverter to ensure that the inverter meets the requirements of electromagnetic compatibility standards.
- The MPPT is used to ensure a maximum power from PV arrays at different PV input conditions.
- The Inverter Circuit converts the DC power into grid-compliant AC power and feeds it into the grid.
- The AC filter filters the output AC component of high frequency to ensure that the output current meets the grid requirements.
- The AC relay isolates the AC output of the inverter from the grid, making the inverter safe from the grid in case of inverter failure or grid failure.
- The AC SPD provides a discharge circuit for the AC side overvoltage to prevent it from damaging the internal circuits of the inverter.

⚠ DANGER

If the lightning level exceeds the protection level of the product, surge protection and overvoltage protection may fail, resulting in electric shock and fatal injury!

2.7 Function Description

The inverter is equipped with the following functions:

Conversion Function

The inverter converts the DC current into grid-compatible AC current and feeds the AC current into the grid.

Data Storage

The inverter logs running information, error records, etc.

Parameter Configuration

The inverter provides various settable parameters. Users can set parameters via the App to meet the requirements and optimize the performance.

Communication Interface

The inverter is designed with standard RS485 communication interfaces.

The standard RS485 communication interfaces are used to establish communication connection with monitoring devices and upload monitoring data by using communication cables.

After communication connection is established, users can view inverter information or set inverter parameters through the iSolarCloud.

The inverter can provide export control but will require the use of an external smart meter. The export control functionality has not been tested to AS/NZS 4777.2:2020.

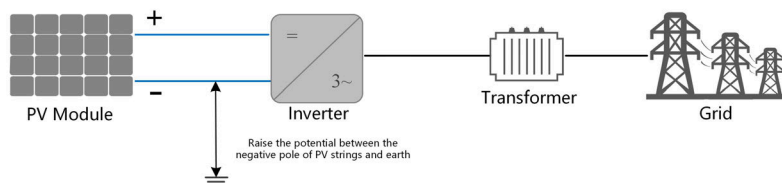
Protection Function

The protective functions are integrated in the inverter, including anti-island protection, LVRT/HVRT, DC reversed polarity protection, AC short circuit protection, leakage current protection, DC overvoltage/overcurrent protection, etc.

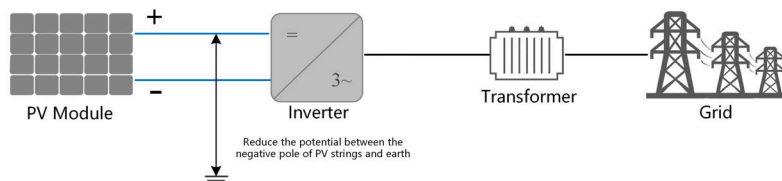
PID Recovery

The PID effect (Potential Induced Degradation) of PV modules will cause serious damage to generated output and yield, which can be avoided or recovered by PID recovery function.

- For positive voltage scheme, after the PID is enabled, the voltage to ground of all PV strings is greater than 0, and therefore the PV string-to-ground voltage is a positive value.



- For negative voltage scheme, after the PID is enabled, the voltage to ground of all PV strings is lower than 0, and therefore the PV string-to-ground voltage is a negative value.



NOTICE

- **Before enabling the PID recovery function, make sure the voltage polarity of the PV modules to ground meets requirement. If there are any questions, contact the PV module manufacturer or read the corresponding user manual.**
- **If the voltage scheme for the PID protection / recovery function does not meet the requirement of corresponding PV modules, the PID will not work as expected or even damage the PV modules.**
- **PID recovery function and Q at night cannot be enabled at the same time.**
- **If the PID recovery function is enabled, it only works at night.**
- **After the PID recovery function is enabled, the voltage of the PV string to ground is 500Vdc by default, and the default value can be modified through the App.**

AFCI Function(Optional)

- AFCI activation

This function can be enabled to detect whether arc occurs in the DC circuit of the inverter.

- AFCI self-test

This function is intended to detect whether the AFCI function of the inverter is normal.

3 Unpacking and Storage

3.1 Unpacking and Inspection

The product is thoroughly tested and strictly inspected before delivery. Nonetheless, damage may still occur during shipping. For this reason, please conduct a thorough inspection after receiving the product.

- Check the packing case for any visible damage.
- Check the scope of delivery for completeness according to the packing list.
- Check the inner contents for damage after unpacking.

Contact SUNGROW or the transport company in case of any damage or incompleteness, and provide photos to facilitate services.

Do not dispose of the original packing case. It is recommended to store the device in the original packing case when the product is decommissioned.

NOTICE

After receiving the product, check whether the appearance and structural parts of the device are damaged, and check whether the packing list is consistent with the actual ordered product. If there are problems with the above inspection items, do not install the device and contact your distributor first. If the problem persists, contact SUNGROW in time.

If any tool is used for unpacking, be careful not to damage the product.

3.2 Scope of Delivery

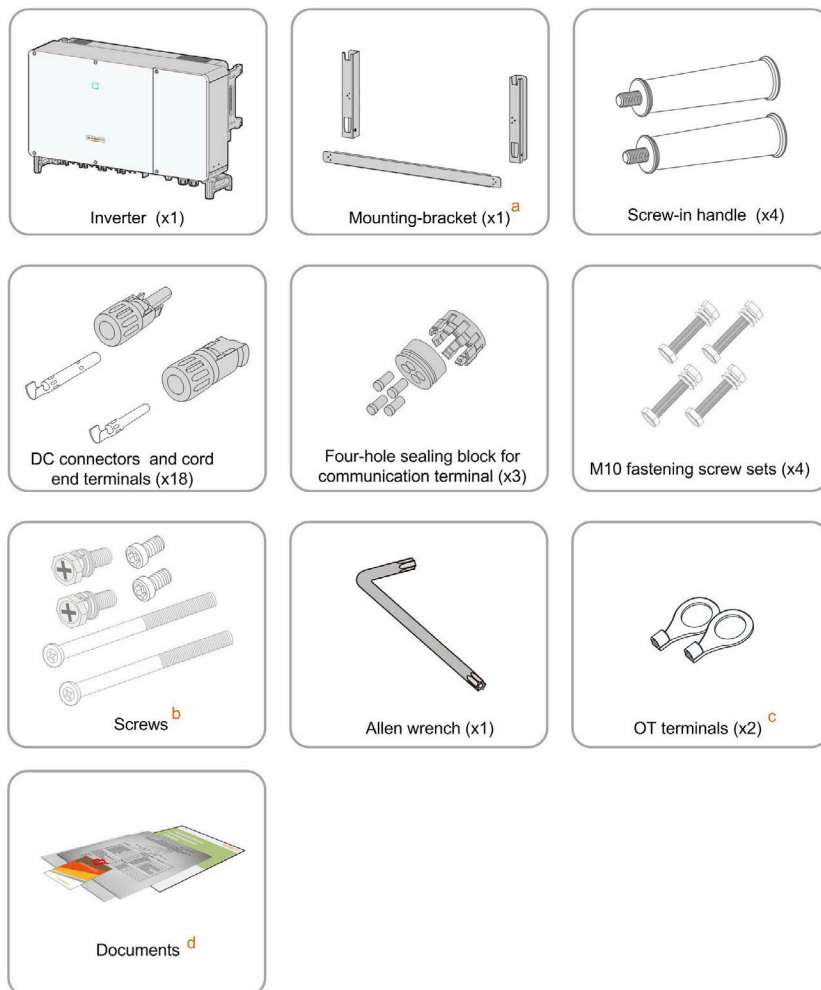


图 1: Scope of Delivery

- The mounting-bracket includes 2 mounting-bracket components and 1 connecting bar.
- The screws include two M4×10, two M6×65, and two M6×14 hex socket screws.
- The two OT terminals are used for wiring power cable of the tracking system, where the wiring range is 4–6mm².
- The documents include the quick installation guide, packing list, warranty card, etc.

3.3 Inverter Storage

Proper storage is required if the inverter is not installed immediately.

- Store the inverter in the original packing case with the desiccant inside.
- The storage temperature must be always between -40°C and $+70^{\circ}\text{C}$, and the storage relative humidity must be always between 0 and 95 %, non-condensing.
- In case of stacking storage, the number of stacking layers should never exceed the limit marked on the outer side of the packing case.
- The packing case should be upright.
- If the inverter needs to be transported again, pack it strictly before loading and transporting it.
- Do not store the inverter in places susceptible to direct sunlight, rain, and strong electric field.
- Do not place the inverter in places with items that may affect or damage the inverter.
- Store the inverter in a clean and dry place to prevent dust and water vapor from eroding.
- Do not store the inverter in places with corrosive substances or susceptible to rodents and insects.
- Carry out periodic inspections. Inspection shall be conducted at least once every six months. If any insect or rodent bites are found, replace the packaging materials in time.
- If the inverter has been stored for more than a year, inspection and testing by professionals are required before it can be put into operation.

NOTICE

Please store the inverter according to the storage requirements. Product damage caused by failure to meet the storage requirements is not covered by the warranty.

4 Mechanical Mounting

WARNING

Respect all local standards and requirements during mechanical installation.

4.1 Safety During Mounting

DANGER

Make sure there is no electrical connection before installation.
Before drilling, avoid the water and electricity wiring in the wall.

WARNING

For specific requirements for the installation environment, see [4.2.1 Installation Environment Requirements](#). In case the environment where the device is installed does not meet the requirements, SUNGROW shall not be held liable for any property damage arising therefrom.

CAUTION

Improper handling may cause personal injury!

- When moving the inverter, be aware of its weight and keep the balance to prevent it from tilting or falling.
- Wear proper protective equipment before performing operations on the inverter.
- The bottom terminals and interfaces of the inverter cannot directly contact the ground or other supports. The inverter cannot be directly placed on the ground.

NOTICE

When installing devices, ensure that no device in the system causes it hard for the DC switch and the AC circuit breaker to act or hinders maintenance personnel from operating.

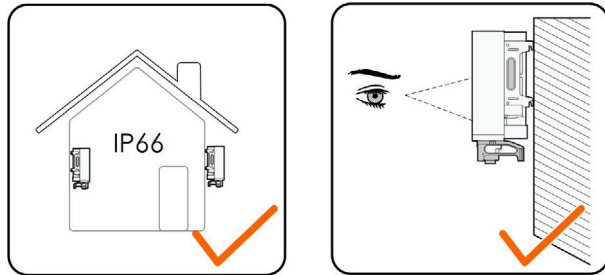
If drilling is required during installation:

- Wear goggles and protective gloves when drilling holes.
- Make sure to avoid the water and electricity wiring in the wall before drilling.
- Protect the product from shavings and dust.

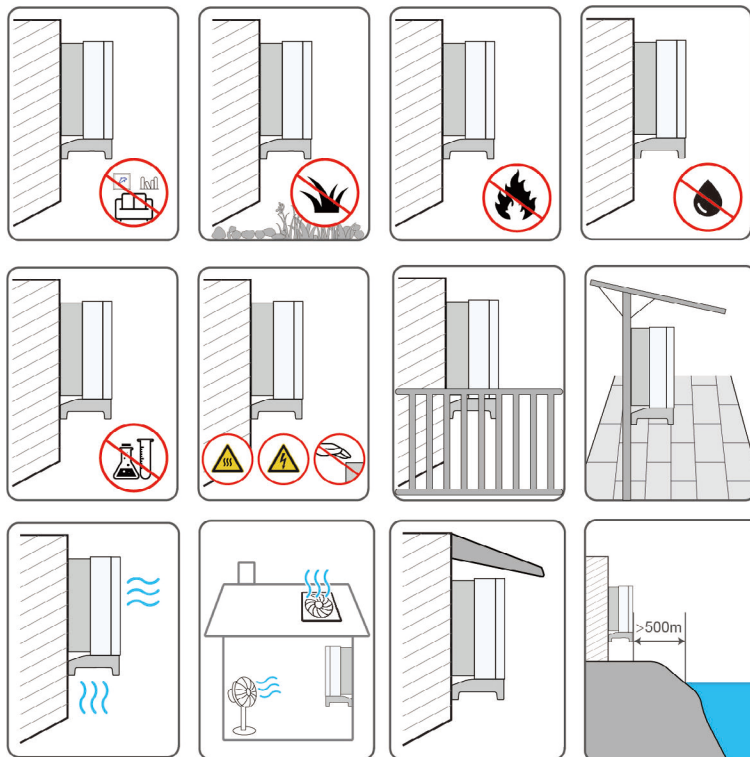
4.2 Location Requirements

To a large extent, a proper installation location ensures safe operation, service life, and performance of the inverter.

- The inverter with protection rating IP66 can be installed both indoors and outdoors.
- The inverter should be installed at a height that allows easy viewing of the LED indicator panel, as well as easy electrical connection, operation and maintenance.



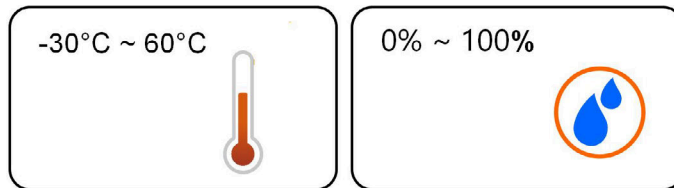
4.2.1 Installation Environment Requirements



- The inverter produces noise during operation, thus it is not recommended to install it in places for residential purpose. If this cannot be avoided, it is recommended to install the inverter in a place over 25 meters away from the residential area, or take noise mitigation measures.
- If the inverter is installed in a place with lush vegetation, weed on a regular basis. In addition, the ground beneath the inverter needs to undergo certain treatment, such as laying cement or gravel, etc. (an area of 3m×2.5m is recommended).
- Do not install the inverter in an environment with flammables, explosives, or smoke.
- Do not install the inverter in places prone to water leak, e.g., under the air-conditioner vent, the air vent, or the cable outlet window of the machine room, so as to prevent device damage or short circuit caused by intrusion of water.
- Do not install the inverter in a place with corrosives such as corrosive gas and organic solvent, etc.
- When the inverter is running, its surface may carry high voltages or get very hot. Do not touch it; otherwise, it may lead to burns or electric shocks.
- Do not install the inverter in a place that is easy to reach for people.
- Install the inverter in a place with shelter, so as to prevent it from getting impacted by direct sunlight and severe weather (e.g. snow, rain, and lightning). The inverter will derate in high temperatures for self-protection. If installed in a place directly exposed to sunlight, as the temperature rises, the inverter may witness power reduction.
- Good heat dissipation is very important to the inverter. Please install the inverter in a ventilated environment.
- If the inverter needs to be installed in a closed environment, please install additional heat dissipation or ventilation devices. During the running of the inverter, the room temperature should not be higher than the outdoor ambient temperature.
- Please consult SUNGROW before installing inverters outdoors in areas prone to salt damage, which mainly are coastal areas within 500 meters of the coast. The sedimentation amount of salt spray is correlated to the characteristics of the seawater, sea winds, precipitation, air humidity, topography, and forest coverage in the adjacent sea areas, and there are substantial differences between different coastal areas.
- Do not install the inverter in an environment contaminated with chemicals such as halogen and sulfide.
- Do not install the inverter in an environment with vibration and strong electromagnetic field. Strong-magnetic-field environments refer to places where magnetic field strength measures over 30 A/m.
- In dusty environments such as places full of dust, smoke, or floc, particles may cling to the device's air outlet or heat sink, thus impacting its heat dissipation performance or even getting it damaged. Therefore, do not install the inverter in dusty environments. If the in-

verter has to be installed in such environments, please clean its fans and heat sink on a regular basis to ensure a good heat dissipation performance.

- The average temperature approximately 1 m around the inverter should be taken as its operating temperature. The temperature and humidity should meet the requirements below:



4.2.2 Carrier Requirements

The mounting structure where the inverter is installed must comply with local/national standards and guidelines. Ensure that the installation surface is solid enough to bear four times the weight of the inverter and is suitable for the dimensions of the inverter (e.g. cement walls, plasterboard walls, etc.).

Do not install the inverter on a carrier that may vibrate in resonance, so as to avoid making bigger noise.

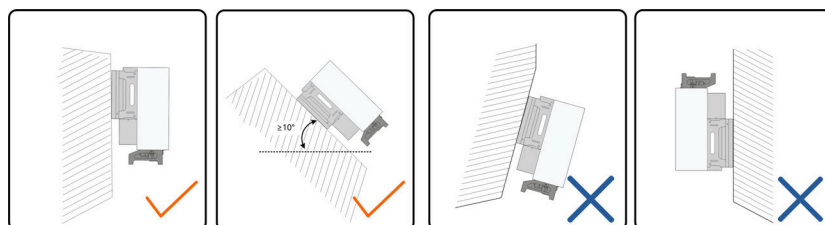
The structure should meet the following requirements:



4.2.3 Angle Requirements

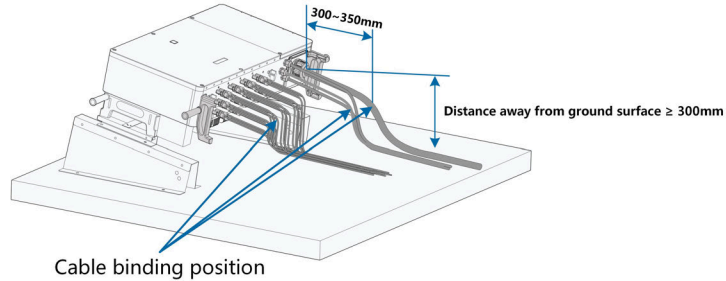
Install the inverter vertically or at the maximum allowable rear tilt angle. Do not install the inverter horizontally, forward, excessively backward, sideways, or upside down.

Inverters in floating plants cannot be installed at a back tilt.





In case the installation site is a level surface, mount the inverter to the bracket to meet the mounting angle requirements, as shown in the figure below.

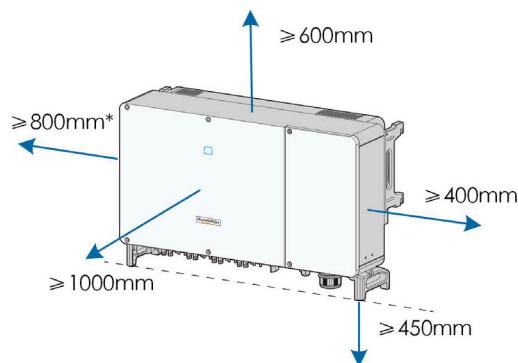


Take the following items into account when designing the bracket scheme:

- Consider onsite climate conditions and take anti-snow and anti-rain measures if necessary.
- Ensure that the waterproof connectors are at least 300mm higher than the ground surface.
- Bind the cables at the positions 300~350mm away from the DC connector, AC waterproof terminal, and communication waterproof terminal.
- The various waterproof terminals should be tightened with the torque specified in this manual to ensure that they are securely sealed.

4.2.4 Clearance Requirements

Reserve enough clearance around the inverter to ensure sufficient space for heat dissipation.

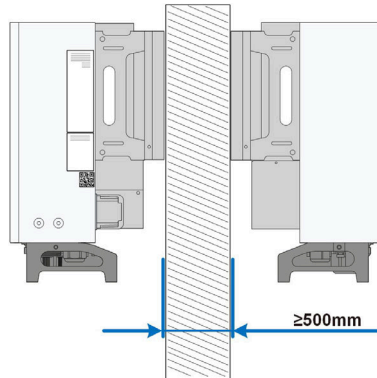


* In case the distance is less than 800 mm, move the inverter from the mounting-bracket or wall before maintaining fans.

In case of multiple inverters, reserve specific clearance between the inverters. For other installation scenarios, please refer to the relevant technical documents on <http://support.sungrow-power.com/>.



In case of back-to-back installation, reserve specific clearance between the two inverters.



Install the inverter at an appropriate height for ease of viewing LED indicator and operating switch(es).

4.3 Installation Tools

Installation tools include but are not limited to the following recommended ones. If necessary, use other auxiliary tools on site.

table 4-1 Tool specification

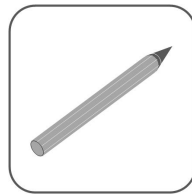
			
Goggles	Earplugs	Dust mask	Safety gloves
			
Safety shoes	Utility knife	Slotted screwdriver (M2, M6)	Phillips screwdriver (M4, M6, M8)



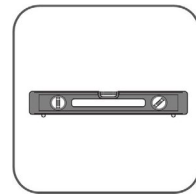
Hammer drill
($\phi 12$, $\phi 14$)



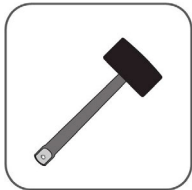
Pliers



Marker



Level



Rubber mallet



Socket wrench set
(16mm)



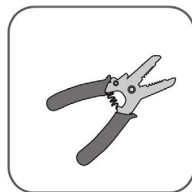
Open-end wrench
(13 mm, 16 mm)



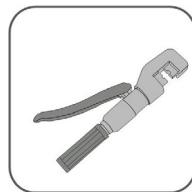
Anti-static wrist strap



Wire cutter



Wire stripper



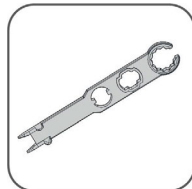
Hydraulic pliers



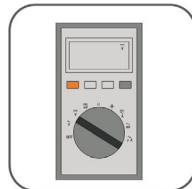
Heat gun



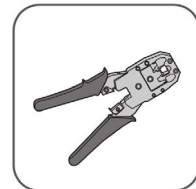
Crimping tool
4–6mm²



Connector wrench



Multimeter
 ≥ 1100 Vdc



RJ45 crimping tool



Vacuum cleaner

4.4 Moving the Inverter

Before installation, remove the inverter from the packing case and move it to the installation site. Follow the instructions below as you move the inverter:

- Always be aware of the weight of the inverter.
- Lift the inverter using the handles positioned on both sides of the inverter.
- Move the inverter by one or two people or by using a proper transport tool.
- Do not release the equipment unless it has been firmly secured.

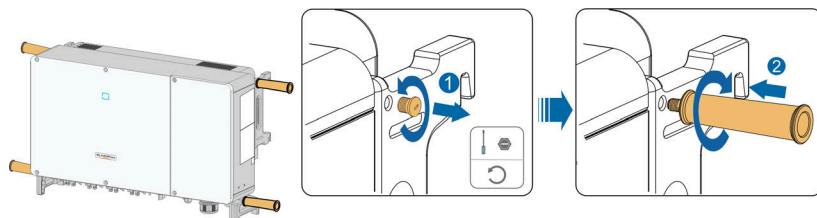
⚠ CAUTION

Improper handling may cause personal injury!

- **Arrange an appropriate number of personnel to carry the inverter according to its weight, and installation personnel should wear protective equipment such as anti-impact shoes and gloves.**
- **Attention must be paid to the center of gravity of the inverter to avoid tilting during handling.**
- **Placing the inverter directly on a hard ground may cause damage to its metal enclosure. Protective materials such as sponge pad or foam cushion should be placed underneath the inverter.**
- **Move the inverter by holding the handles on it. Do not move the inverter by holding the terminals.**

4.4.1 Manual Transport

step 1 Release the sealing screws on the mounting ears with a flat-head screwdriver and store them properly. Anchor the four supplied screw-in handles to the mounting ears and base of the inverter.



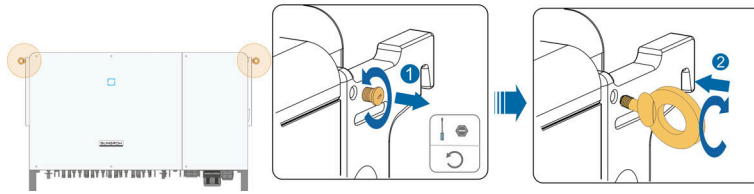
step 2 Lift and move the inverter to the destination by using the side and bottom handles as well as the four installed handles.

step 3 Remove the screw-in handles and reassemble the sealing screws released in Step 1.

-- End

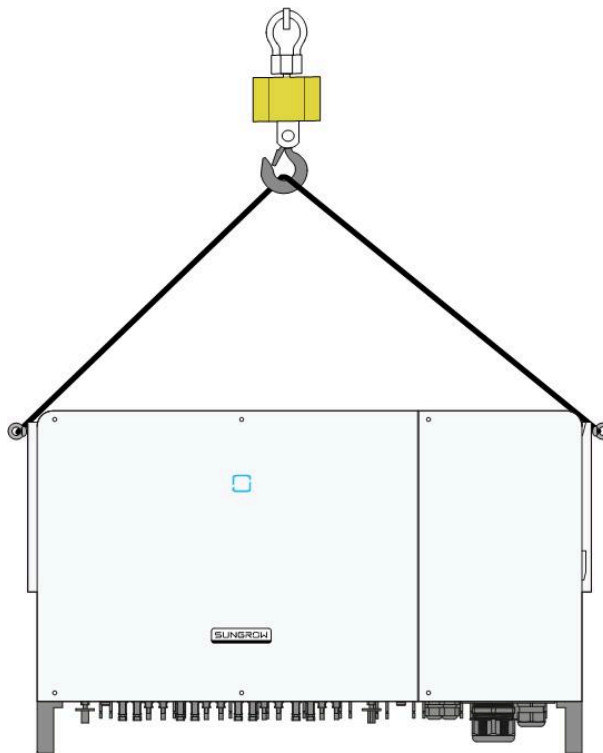
4.4.2 Hoisting Transport

step 1 Release the sealing screws on the mounting lugs and store them properly. Anchor two M12 thread lifting rings to the lugs of the inverter.



step 2 Lead the sling through the two lifting rings and fasten the tie-down strap.

step 3 Hoist the inverter, and stop to check for safety when the inverter is 100mm above the ground. Continue hoisting the device to the destination after ensuring the safety.



step 4 Remove the lifting rings and reassemble the sealing screws released in Step 1.

⚠ CAUTION

Keep the inverter balanced throughout the hoisting process and avoid collisions with walls or other objects.
Stop hoisting in the event of severe weather, such as heavy rain, thick fog, or strong wind.



The lifting rings and the sling are not within the delivery scope.

-- End

4.5 Installing Mounting-bracket

Inverter is installed on the wall and bracket by means of mounting bracket.
The expansion plug set shown below is recommended for the installation.

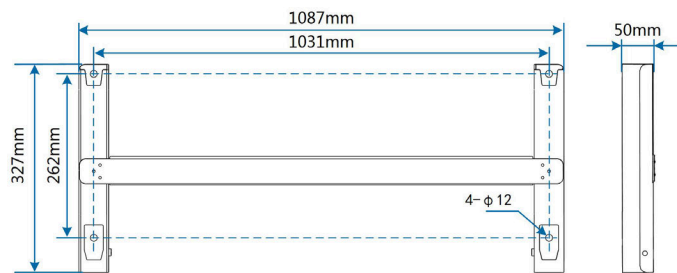
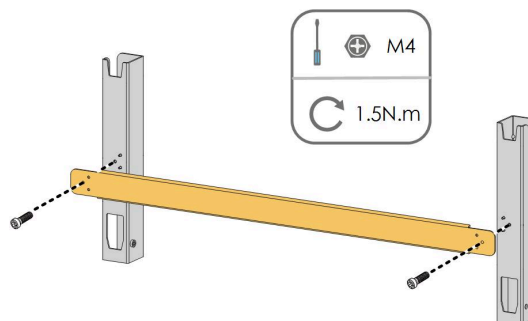


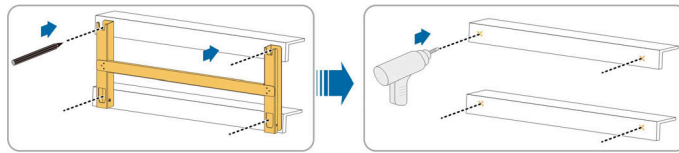
figure 4-1 Dimensions of Mounting-bracket

4.5.1 PV Bracket-Mounted Installation

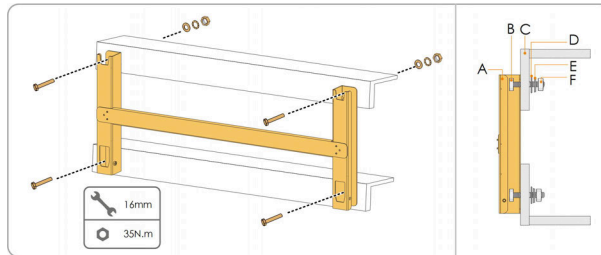
step 1 Assemble the mounting-bracket.



step 2 Level the assembled mounting-bracket by using the level, and mark the positions for drilling holes on the PV bracket. Drill the holes by using a hammer drill.



step 3 Secure the mounting-bracket with bolts.

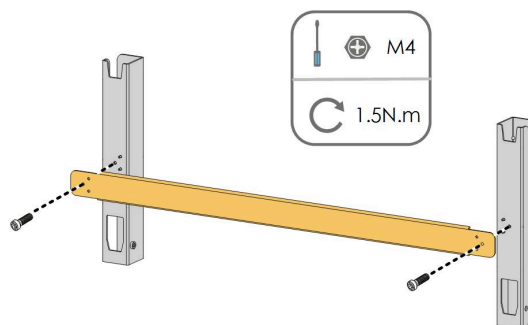


No.	Components	Description
A	Mounting-bracket	–
B	Full threaded bolt	M10*45
C	Metal bracket	–
D	Flat washer	–
E	Spring washer	–
F	Hex nuts	M10

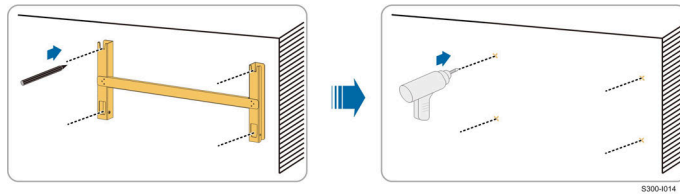
-- End

4.5.2 Wall-Mounted Installation

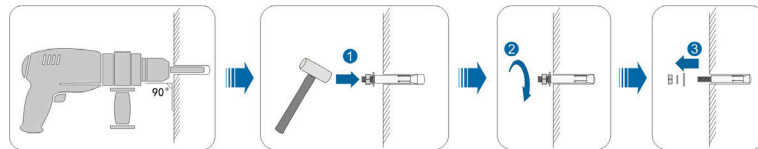
step 1 Assemble the mounting-bracket.



step 2 Level the assembled mounting-bracket by using the level, and mark the positions for drilling holes.

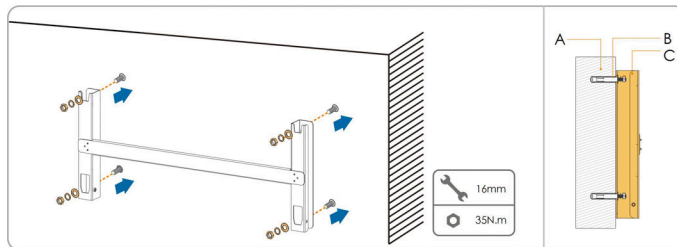


step 3 Insert the expansion bolts into the holes and secure them with a rubber hammer. Fasten the nut with a wrench to expand the bolt. Remove the nut, spring washer, and flat washer, and store them properly.



After removing the nut, spring washer, and flat washer, level the front of the expansion tube with the wall. Otherwise, the mounting brackets will not stay steady on the wall.

step 4 Install the mounting-bracket to the wall with the expansion bolts with the expansion bolts.



No.	Components	Description
A	Wall	–
B	Expansion bolt	Fastening the bolt in the sequence of nut, spring washer, slat washer
C	Mounting-bracket	–

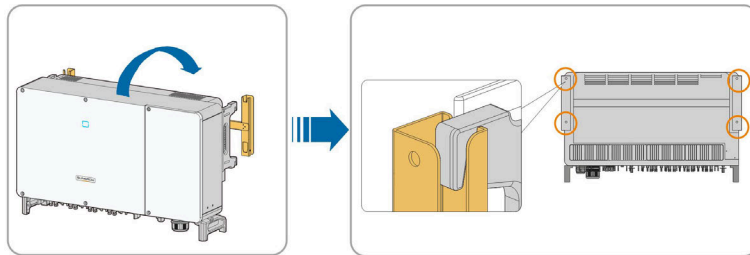
-- End

4.6 Installing the Inverter

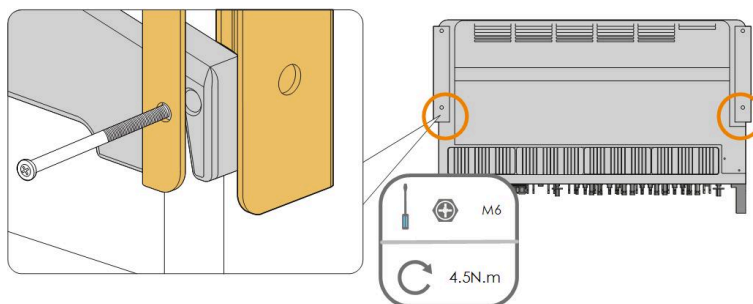
step 1 Take out the inverter from the packing case.

step 2 If the installation position is high, hoist the inverter to the position (refer to "4.4.2 Hoisting Transport"). Otherwise, skip this step.

step 3 Hang the inverter to the mounting-bracket and ensure that the mounting ears perfectly engage with the mounting-bracket.



step 4 Fix the inverter with screws.



-- End

5 Electrical Connection

5.1 Safety Instructions

⚠ DANGER

The PV string will generate lethal high voltage when exposed to sunlight.

- Operators must wear proper personal protective equipment during electrical connections.
- Must ensure that cables are voltage-free with a measuring instrument before touching DC cables.
- Respect all safety instructions listed in relevant documents about PV strings.

⚠ DANGER

- Before electrical connections, please make sure that the inverter switch and all switches connected to the inverter are set to "OFF", otherwise electric shock may occur!
- Ensure that the inverter is undamaged and all cables are voltage free before performing electrical work.
- Do not close the AC circuit breaker until the electrical connection is completed.

⚠ WARNING

Do not damage the ground conductor. Do not operate the product in the absence of a properly installed ground conductor. Otherwise, it may cause personal injury or product damage.

Please use measuring devices with an appropriate range. Overvoltage can damage the measuring device and cause personal injury.

Damage to the product caused by incorrect wiring is not covered by the warranty.

- **Electrical connection must be performed by professionals.**
- **Operators must wear proper personal protective equipment during electrical connections.**
- **All cables used in the PV generation system must be firmly attached, properly insulated, and adequately dimensioned. Cables used shall comply with the requirements of local laws and regulations.**
- **The factors that affect cable selection include rated current, cable type, routing mode, ambient temperature, and maximum expected line loss.**

NOTICE

All electrical connections must comply with local and national/regional electrical standards.

- **Cables used by the user shall comply with the requirements of local laws and regulations.**
- **Only with the permission of the national/regional grid department, the inverter can be connected to the grid.**

NOTICE

- **Install the external protective grounding cable first when performing electrical connection and remove the external protective grounding cable last when removing the inverter.**
- **Keep the AC output cable and the DC input cable close to each other during electrical connection.**
- **Comply with the safety instructions related to PV strings and the regulations related to the utility grid.**

NOTICE

- After being crimped, the OT terminal must wrap the wires completely, and the wires must contact the OT terminal closely.
- When using a heat gun, protect the device from being scorched.
- Keep the PV+ cable and PV– cable close to each other when connecting DC input cables.
- Before connecting a power cable (such as the AC cable, the DC cable, etc.), confirm that the label and identifier on the power cable are correct.
- When laying out communication cables, separate them from power cables and keep them away from strong interference sources to prevent communication interruption.
- All vacant terminals must be covered with waterproof covers to prevent affecting the protection performance.
- Ensure that AC output cables are firmly connected. Failing to do so may cause inverter malfunction or damage to its AC connectors.
- When the wiring is completed, seal the gap at the cable inlet and outlet holes with fireproof/waterproof materials such as fireproof mud to prevent foreign matter or moisture from entering and affecting the long-term normal operation of the inverter.



The cable colors in figures in this manual are for reference only. Please select cables according to local cable standards.

5.2 Terminal Description

All electrical terminals are located at the bottom of the inverter.

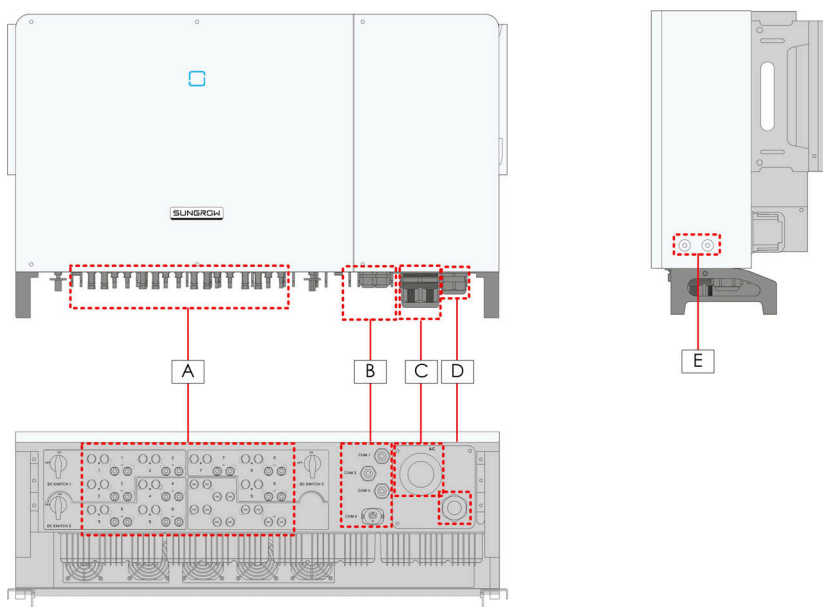


figure 5-1 Terminal Description(For a multi-core cable)

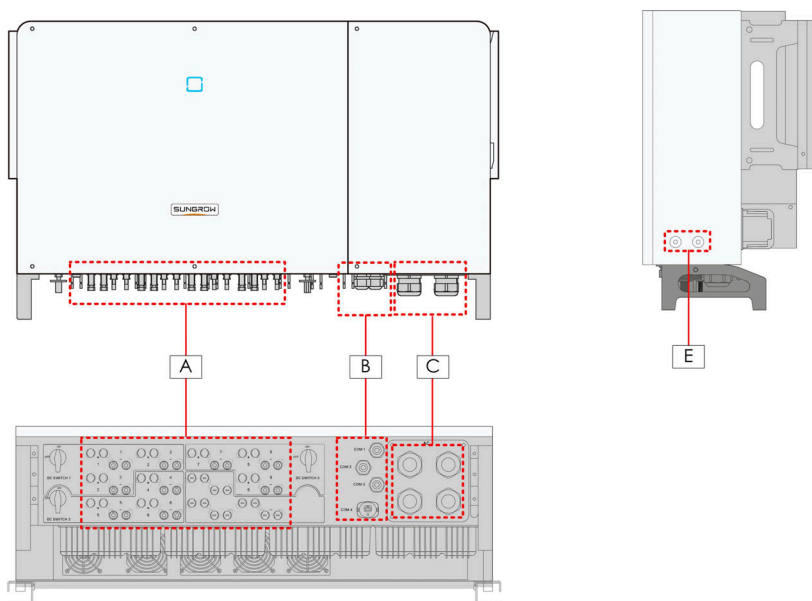



figure 5-2 Terminal Description(For four single-core cables)

* The image shown here is for reference only. The actual product received may differ.

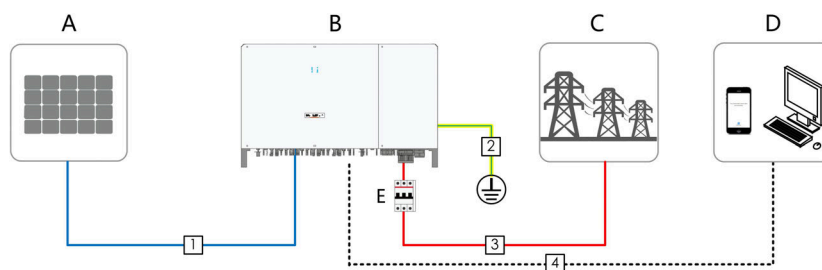
Item	Terminal	Mark	Note
A	PV terminals	+ / -	MC4 PV connector

Item	Terminal	Mark	Note
B	Communication terminal	COM1 / 2 / 3	RS485 communication, digital input/output DI/DO.
		COM4	For communication module connection.
C	AC wiring terminal		Used for AC output cable connection.
D	Standby	AC	
	grounding terminal*		Used for internal grounding.
E	External protective grounding terminal		use at least one of them to ground the inverter.

*If the PE cable is an independent single-core cable, it should be inserted into the cabinet through the standby grounding terminal.

5.3 Electrical Connection Overview

The electrical connection should be realized as follows:



Item	Designation
A	PV string
B	Inverter
C	Grid
D	Monitoring device
E	AC circuit breaker

table 5-1 Cable Requirements

No.	Cable	Type	Specification	
			Cable Diameter(mm)	Cross-sectional Area(m ²)
1	DC cable	PV cable complying with 1,500V standard	6 ~ 9	4~6
2	Additional grounding cable	Outdoor single-core copper wire cable	The same as that of the PE wire in the AC cable	
3	AC cable	Four/Five-core outdoor copper or aluminum cable ⁽¹⁾⁽²⁾	38 ~ 56	L1,L2,L3,(N) wire: 70 ~ 240 PE wire: refer to table 5-2 PE Wire Requirements
		Four single-core outdoor copper or aluminum cables ⁽¹⁾⁽²⁾	14 ~ 32	L1,L2,L3,(N) wire: 70 ~ 240 PE wire: refer to table 5-2 PE Wire Requirements
4	Communication cable	Shielded twisted pair (terminal block)	4.5 ~ 18	0.1 ~ 1.5
		CAT-5 Ethernet cable (RJ45)		/

(1) A copper to aluminum adapter terminal is required when an aluminum cable is used. For details, refer to [Aluminum Cable Requirements](#).

(2) In the case of four single-core cables, a spare AC sealing plate accessory is required as shown in the following figure. To purchase the AC sealing plate accessory, contact your distributor. If the distributor is unable to provide the AC sealing plate accessory, contact SUNGROW.

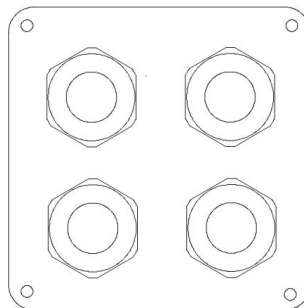


figure 5-3 Spare AC Sealing Plate



Inverter for Australia and New Zealand are equipped with the four-core sealing plate by default.

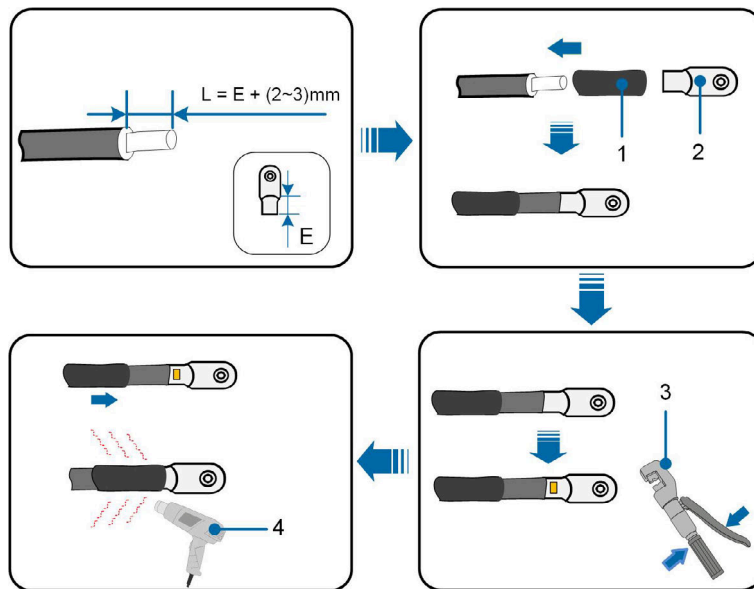
table 5-2 PE Wire Requirements

Phase Wire Cross Section S	PE Wire Cross Section	Note
$S > 35 \text{ mm}^2$	$S / 2$	The specifications are valid only when the phase wire and PE wire use the same material. If otherwise, ensure that the cross section of the PE wire produces a conductance equivalent to that of the wire specified in the table.

Other sizes of grounding cables that meet local standards and safety regulations can also be used for grounding connections. But SUNGROW shall not be held liable for any damage caused.

5.4 Crimp OT/DT terminal

Crimp OT/DT terminal



1. Heat shrink tubing
3. Hydraulic pliers

2. OT/DT terminal
4. Heat gun

Aluminum Cable Requirements

If an Aluminum cable is selected, use a copper to Aluminum adapter terminal to avoid direct contact between the copper bar and the Aluminum cable.

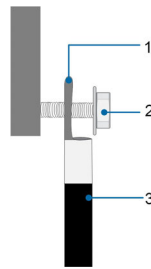


figure 5-4 Aluminum Cable Connection

1. Copper to Aluminum adapter terminal 2. Flange nut 3. Aluminum cable

NOTICE

Ensure that the selected terminal can directly contact with the copper bar. If there are any problems, contact the terminal manufacturer.

Ensure that the copper bar is not in direct contact with the aluminum wire. Otherwise, electrochemical corrosion may occur, impairing the reliability of electrical connection.

5.5 External Protective Grounding Connection

⚠ DANGER

Electric shock!

- Make sure that the grounding cable is connected reliably. Otherwise, it may cause electric shock.

⚠ WARNING

- Since the inverter is not equipped with a transformer, neither the negative electrode nor the positive electrode of the PV string can be grounded. Otherwise, the inverter will not operate normally.
- Connect the grounding terminal to the external protective grounding point before AC cable connection, PV string connection, and communication cable connection.
- The external protective grounding point provides a reliable ground connection. Do not use an improper grounding conductor for grounding, Otherwise, it may cause product damage or personal injury.
- Depending on Local Rules, please also ground the PV panel subconstruction to the same common grounding point (PE Bar) in addition to local lightning protection rules.

⚠ WARNING

The external protective grounding terminal must meet at least one of the following requirements.

- The cross-sectional area of the grounding cable is not less than 10 mm² for copper wire or 16 mm² for aluminum wire. It is recommended that both the external protective grounding terminal and the AC side grounding terminal be reliably grounded.
- If the cross-sectional area of the grounding cable is less than 10 mm² for copper wire or 16 mm² for aluminum wire, ensure that both the external protective grounding terminal and the AC side grounding terminal are reliably grounded.

The grounding connection can be made by other means if they are in accordance with the local standards and regulations, and SUNGROW shall not be held liable for the possible consequences.

5.5.1 External Protective Grounding Requirements

All non-current carrying metal parts and device enclosures in the PV power system should be grounded, for example, brackets of PV modules and inverter enclosure.

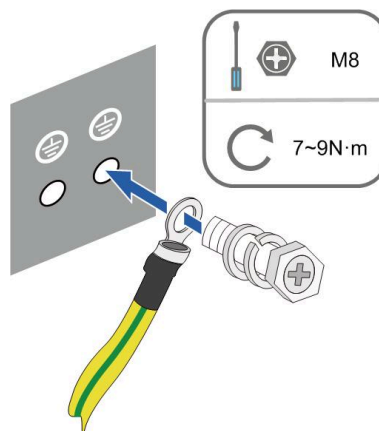
When there is only one inverter in the PV system, connect the external protective grounding cable to a nearby grounding point.

When there are multiple inverters in the PV system, connect the external protective grounding terminals of all inverters and the grounding points of the PV module brackets to ensure equipotential connections to ground cables (according to the onsite conditions).

5.5.2 Connection Procedure

step 1 Prepare the cable and OT/DT terminal, refer to [Crimp OT/DT terminal](#).

step 2 Remove the screw on the grounding terminal and fasten the cable with a screwdriver.



step 3 Apply paint to the grounding terminal to ensure corrosion resistance.



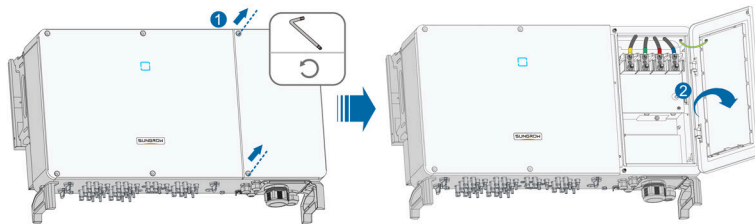
The grounding screws have been anchored to the side of the inverter before delivery, and do not need to be prepared. There are two grounding terminals. Use one of them to ground the inverter.

-- End

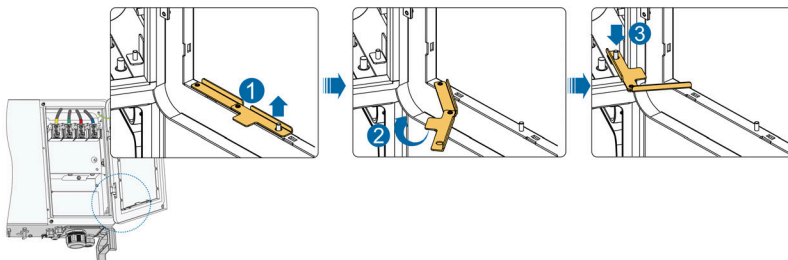
5.6 Opening the Wiring Compartment

step 1 Release two screws on the front cover of the wiring compartment with supplied Allen wrench.

step 2 Open the wiring compartment.



step 3 Keep the wiring compartment open during wiring through the limit lever attached to the cover.



-- End



Close the wiring compartment in reverse order after completing wiring operations.

5.7 AC Cable Connection

5.7.1 AC Side Requirements



Only with the permission of the local grid department, the inverter can be connected to the grid.

Before connecting the inverter to the grid, ensure the grid voltage and frequency comply with requirements, for which, refer to "**Technical Data**". Otherwise, contact the electric power company for help.

AC Circuit Breaker

An independent circuit breaker or fuse should be installed on the output side of the inverter to ensure safe disconnection from the grid.

Inverter Model	Recommended Rated Voltage	Recommended Rated Current
SG110CX	400V	200A
SG110CX-20	400V	200A
SG110CX-NI	400V	200A



WARNING

AC circuit breakers should be installed on the output side of the inverter and the grid side to ensure safe disconnection from the grid.

- **Determine whether an AC circuit breaker with greater overcurrent capacity is required based on actual conditions.**
- **Do not connect any local load between the inverter and the AC circuit breaker.**
- **Multiple inverters cannot share one AC circuit breaker.**

Residual Current Monitoring Device

With an integrated universal current-sensitive residual current monitoring unit included, the inverter will disconnect immediately from the mains power once a fault current with a value exceeding the limit is detected.

However if an external residual current device (RCD) (type A is recommended) is mandatory, the switch must be triggered at the residual current. RCD of other specifications can also be used according to local standard. The recommended residual current is as follows.

Inverter	Recommended Residual Current
SG110CX	1100 mA

Inverter	Recommended Residual Current
SG110CX-20	1100 mA
SG110CX-NI	1100 mA

Multiple Inverters in Parallel Connection

If multiple inverters are connected in parallel to the grid, ensure that the total number of parallel inverters does not exceed 25.

The inverter has not been tested to AS/NZS 4777.2:2020 for multiple inverter combinations.

MV Transformer

The MV transformer used together with the inverter should meet the following requirements:

- A distribution transformer can be used if it is designed for the typical cyclical loads of a PV system (there is load in the day and no load at night).
- A liquid-immersed type transformer or a dry type transformer can be used, and the shield winding is not a requisite.
- The line-to-line voltage on the LV side of the transformer should endure the output voltage of inverter. When the transformer is connected to the IT grid, to-ground withstanding voltage of the LV winding of the transformer, the LV side AC cables, and the LV side secondary equipment (including the relay protection device, detection & measuring device, and other related auxiliary devices) should not be lower than 1,100V.
- The line-to-line voltage on the HV side of the transformer should comply with the local power grid voltage.
- A transformer with a tap changer on the HV side is recommended in order to keep the voltage consistent with the grid voltage.
- At an ambient temperature of 45°C, the transformer can run in 1.1 times of load for long time.
- A transformer with a short-circuit impedance 6% (permissible tolerance: $\pm 10\%$) is recommended.
- The voltage drop of system cable is no more than 3%.
- The DC component that the transformer can withstand is 1% of the fundamental current at rated power.
- For thermal rating, the load curve of the transformer and environment conditions should be taken into account.
- The apparent power of the inverter should never exceed the power of the transformer. The maximum AC current of all inverters connected in parallel must be taken into account. It is recommended that the total number of inverters that are connected to the grid not exceed 25.
- The transformer must be protected against overloading and short circuit.

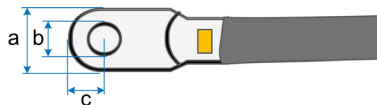
- The transformer is an important part of grid-connected PV generation system. The fault tolerance capacity of the transformer should be taken into account at all times. The fault include: system short circuit, grounding fault, voltage drop, etc.
- Take ambient temperature, relative humidity, altitude, air quality, and other environmental conditions into account when selecting and installing the transformer.

5.7.2 Requirements for OT/DT Terminal

OT/DT terminals (not included in the delivery scope) are required for fixing AC cables to the terminal block. Purchase the OT/DT terminals according to the following requirements.

OT/DT Terminals of Phase Wire

- Specification: M12;
- Dimensions: $a \leq 46 \text{ mm}$ / $13 \text{ mm} \leq b \leq 15.5 \text{ mm}$ / $c \leq 22 \text{ mm}$



OT/DT Terminal of PE Wire

- Specification: M8 / M10.

5.7.3 Connection Procedure(For a multi-core cable)

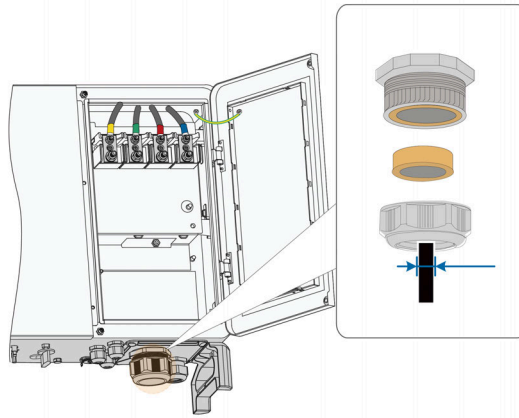


In this manual, description is given by using five-core cable as an example. The wiring of the four-core cable is the same.

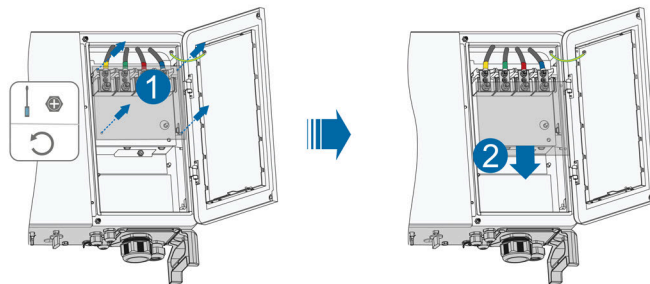
step 1 Open the wiring compartment. For details, refer to [5.6 Opening the Wiring Compartment](#).

step 2 Disconnect the AC-side circuit breaker and prevent it from inadvertent reconnection.

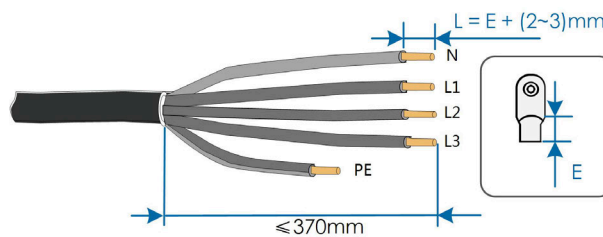
step 3 Loosen the swivel nut of the AC waterproof connector and select a seal according to the cable outer diameter, remove the inner sealing ring if the cable diameter is larger than 47 mm. Lead the cable through the swivel nut, seal, and wiring terminal successively.



step 4 Remove the protection cover and store the released screws properly.



step 5 Strip the protection layer and insulation layer by specific length, as described in the figure below.

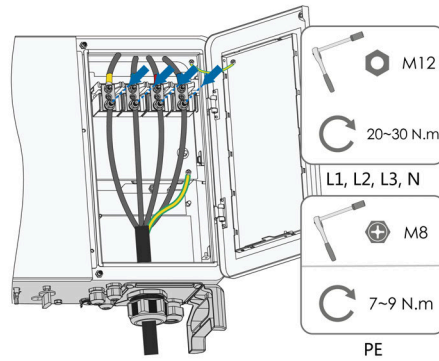


step 6 Make the cable and crimp OT/DT terminal.

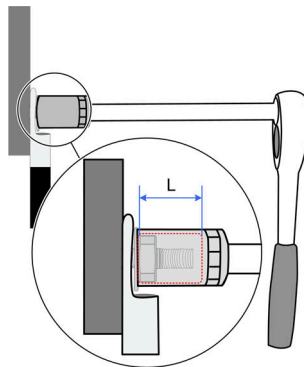
step 7 Secure the wires to corresponding terminals.

NOTICE

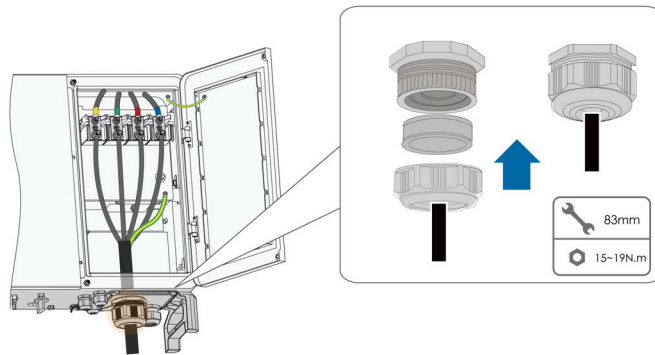
Note the terminal positions of PE wire and N wire. If a phase wire is connected to the PE terminal or N terminal, unrecoverable damage may be caused to the inverter.



Ensure that the depth L of the socket used is not less than 28mm.

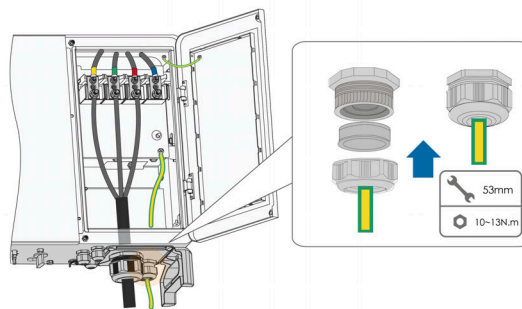


step 8 Gently pull the cable backwards to ensure firm connection, and fasten the swivel nut clockwise.

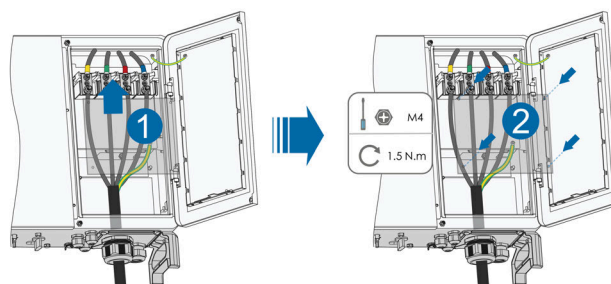


NOTICE

If the PE cable is an independent single-core cable, it should be inserted into the cabinet through the standby grounding terminal.



step 9 Install the protection cover



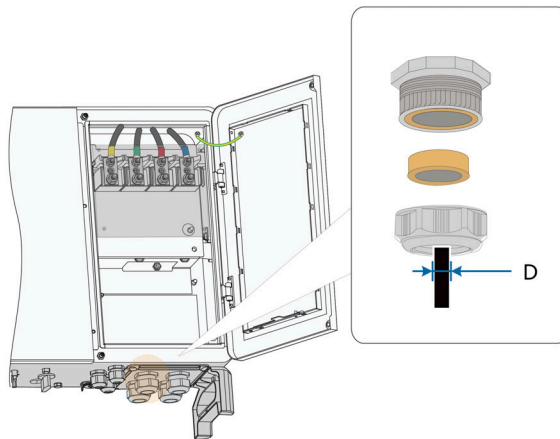
-- End

5.7.4 Connection Procedure(L1/L2/L3/N, For four single-core cables)

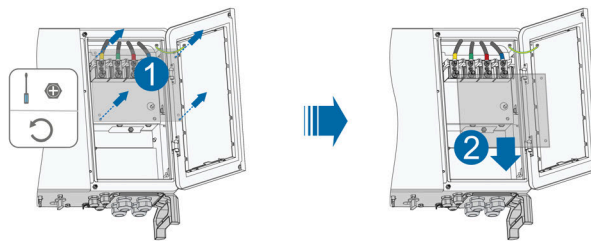
step 1 Open the wiring compartment. For details, refer to [5.6 Opening the Wiring Compartment](#).

step 2 Disconnect the AC-side circuit breaker and prevent it from inadvertent reconnection.

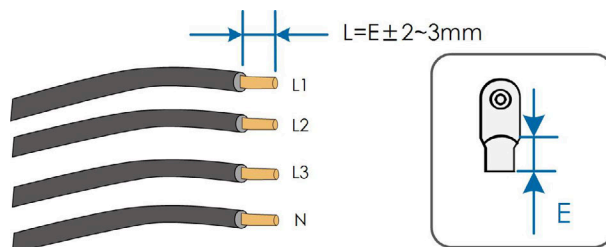
step 3 Loosen the swivel nut of the AC waterproof connector and select a seal according to the cable outer diameter, remove the inner sealing ring if the cable diameter is larger than 22 mm. Lead the cable through the swivel nut, seal, and wiring terminal successively.



step 4 Remove the protection cover and store the released screws properly.



step 5 Strip the protection layer and insulation layer by specific length, as described in the figure below.

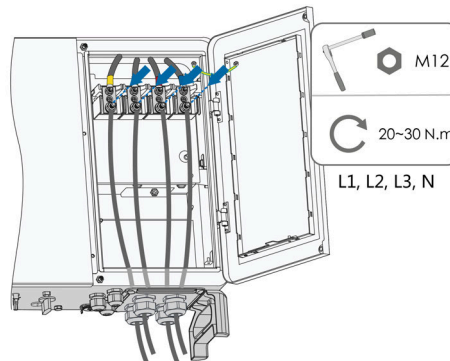


step 6 Make the cable and crimp OT/DT terminal.

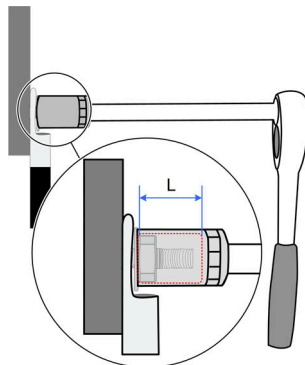
step 7 Secure the wires to corresponding terminals.

NOTICE

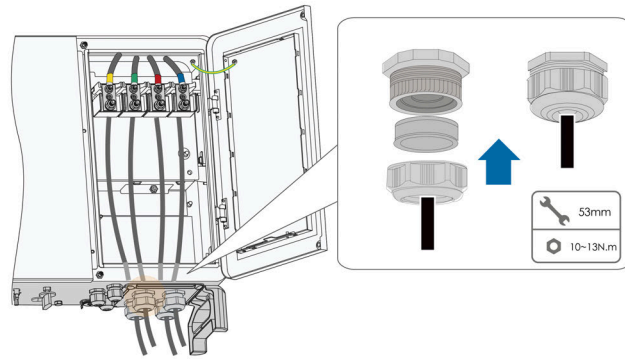
Note the terminal positions of PE wire and N wire. If a phase wire is connected to the PE terminal or N terminal, unrecoverable damage may be caused to the inverter.



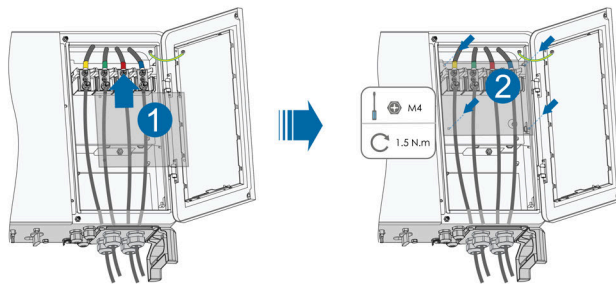
Ensure that the depth L of the socket used is not less than 28mm.



step 8 Gently pull the cable backwards to ensure firm connection, and fasten the swivel nut clockwise.



step 9 Install the protection cover



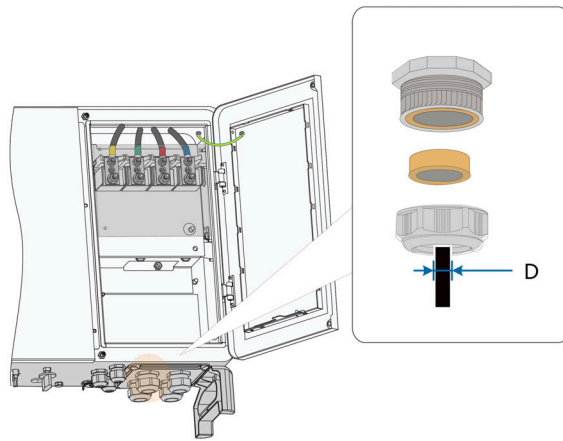
-- End

5.7.5 Connection Procedure(L1/L2/L3/PE, For four single-core cables)

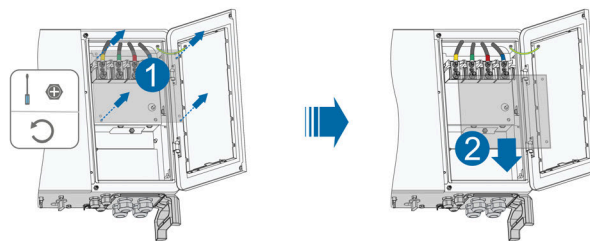
step 1 Open the wiring compartment. For details, refer to [5.6 Opening the Wiring Compartment](#).

step 2 Disconnect the AC-side circuit breaker and prevent it from inadvertent reconnection.

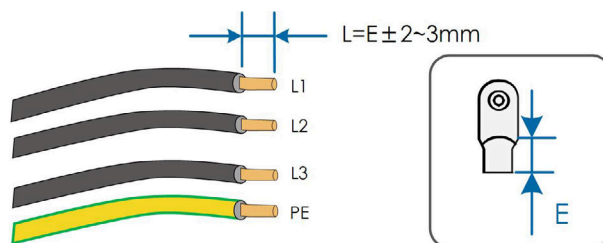
step 3 Loosen the swivel nut of the AC waterproof connector and select a seal according to the cable outer diameter, remove the inner sealing ring if the cable diameter is larger than 22 mm . Lead the cable through the swivel nut, seal, and wiring terminal successively.



step 4 Remove the protection cover and store the released screws properly.

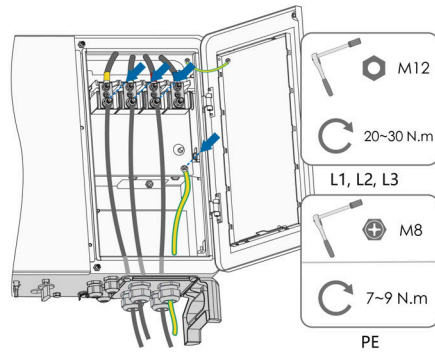


step 5 Strip the protection layer and insulation layer by specific length, as described in the figure below.

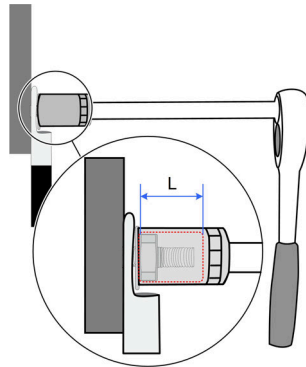


step 6 Make the cable and crimp OT/DT terminal.

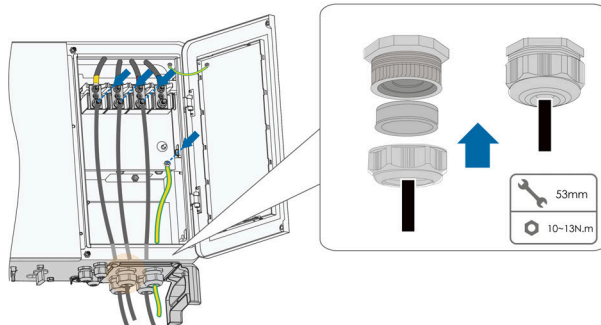
step 7 Secure the wires to corresponding terminals.



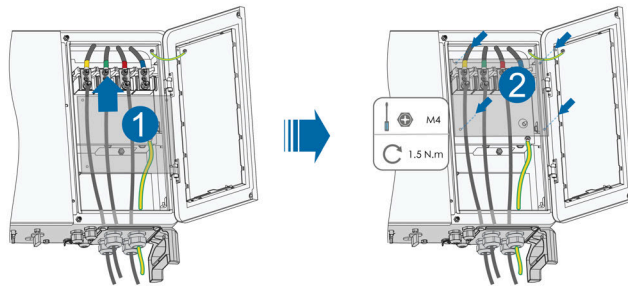
Ensure that the depth L of the socket used is not less than 28mm.



step 8 Gently pull the cable backwards to ensure firm connection, and fasten the swivel nut clockwise.



step 9 Install the protection cover



-- End

5.8 DC Cable Connection

⚠ DANGER

The PV string will generate lethal high voltage when exposed to sunlight.

- Respect all safety instructions listed in relevant documents about PV strings.

⚠ WARNING

- **Make sure the PV array is well insulated to ground before connecting it to the inverter.**
- **Make sure the maximum DC voltage and the maximum short circuit current of any string never exceed inverter permitted values specified in "Technical Data".**
- **Check the positive and negative polarity of the PV strings, and connect the PV connectors to corresponding terminals only after ensuring polarity correctness.**
- **During the installation and operation of the inverter, please ensure that the positive or negative electrodes of PV strings do not short-circuit to the ground. Otherwise, an AC or DC short-circuit may occur, resulting in equipment damage. The damage caused by this is not covered by the warranty.**
- **Electric arc or contactor over-temperature may occur if the DC connectors are not firmly in place, and the loss caused is not covered by the warranty.**
- **If the DC input cables are reversely connected or the positive and negative terminals of different MPPT are shorted to ground at the same time, while the DC switch is in the "ON" position, do not operate immediately. Otherwise, the inverter may be damaged. Please turn the DC switch to "OFF" and remove the DC connector to adjust the polarity of the strings when the string current is lower than 0.5 A.**
- **Use the DC connectors supplied with the product for DC cable connection. Using incompatible DC connectors may result in serious consequences, and the device damage is not covered under warranty.**
- **Inverters do not support full parallel connection of strings (Full parallel connection refers to a connection method in that strings are connected in parallel and then connected to the inverter separately).**
- **Do not connect one PV string to multiple inverters. Otherwise, the inverters may be damaged.**

NOTICE

The following requirements about PV string connection must be met. Otherwise, it may cause irreversible damage to the inverter, which is not covered by the warranty.

- **Mixed use of PV modules of different brands or models in one MPPT circuit, or PV modules of different orientation or inclination in a string may not damage inverter, but will cause system bad performance!**
- **The inverter enters standby state when the input voltage ranges between 1,000 V and 1,100 V. The inverter returns to running state once the voltage returns to the MPPT operating voltage range, namely, 200 V to 1,000 V.**

NOTICE

Note the following items when laying out cables on site:

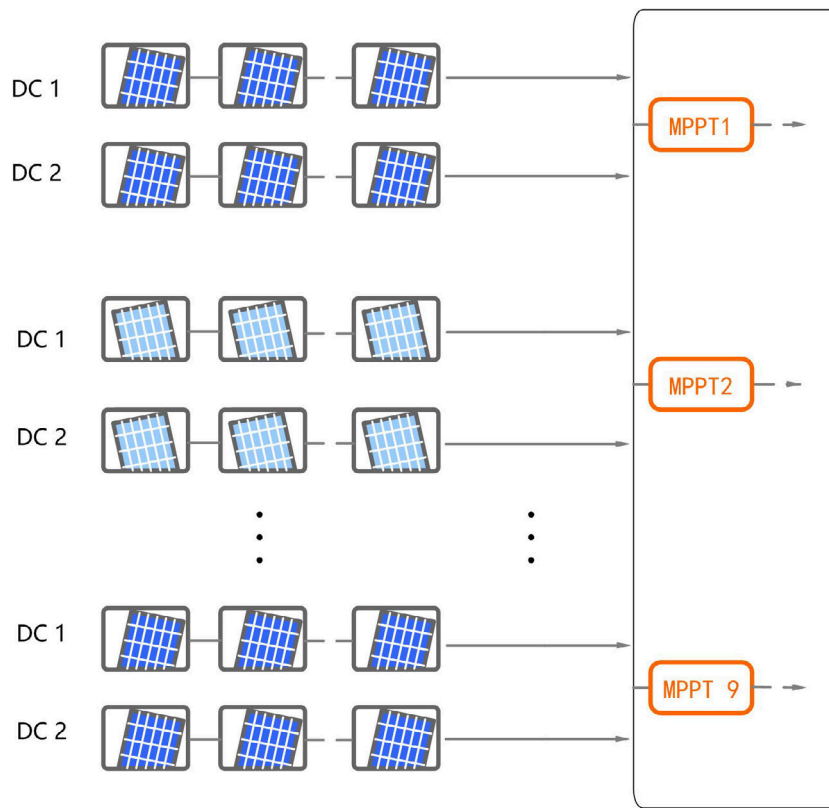
- **The axial tension on PV connectors must not exceed 80 N. Avoid axial cable stress on the connector for a long time during field wiring.**
- **Radial stress or torque must not be generated on PV connectors. It may cause the connector waterproof failure and reduce connector reliability.**
- **Leave at least 50 mm of slack to avoid the external force generated by the cable bending affecting the waterproof performance.**
- **Refer to the specifications provided by the cable manufacturer for the minimum cable bending radius. If the required bending radius is less than 50 mm, reserve a bending radius of 50 mm. If the required bending radius is greater than 50 mm, reserve the required minimum bending radius during wiring.**

5.8.1 PV Input Configuration

As shown in the figure below, the inverter is provided with multiple PV inputs: PV inputs 1~9; and each PV input is designed with an MPP tracker.

Each PV input operates independently and has its own MPPT. In this way, string structures of each PV input may differ from each other, including PV module type, number of PV modules in each string, angle of tilt, and installation orientation.

Each PV input area includes two DC inputs DC1 and DC2. For the best use of DC power, DC1 and DC2 should be the same in PV string structure, including the type, number, tilt, and orientation of the PV modules.



Type	Open Circuit Voltage Limit	Max. Current for Input Connector
SG110CX	1100V	30A
SG110CX-20	1100V	30A
SG110CX-NI	1100V	30A

5.8.2 Assembling PV Connectors

⚠ DANGER

High voltage may be present in the inverter!

- Ensure all cables are voltage-free before performing electrical operations.
- Do not connect the AC circuit breaker before finishing electrical connection.

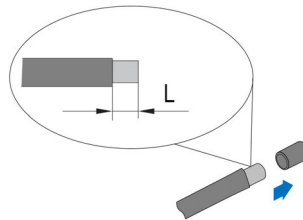
⚠ CAUTION

- Use MC4 DC terminals if the maximum input voltage is no more than 1,000 V.
- Use MC4-Evo2 DC terminals if the maximum input voltage is greater than 1,000 V. To purchase the MC4-Evo2 DC terminals, contact SUNGROW.
- Select appropriate DC terminals as required above. Otherwise, SUNGROW shall be held no liability for the damage caused.

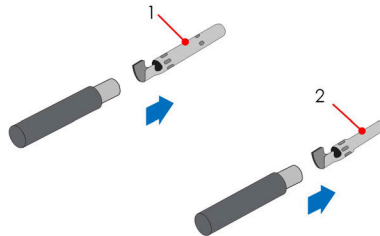


To ensure IP66 protection, use only the supplied connector.

step 1 Strip 7 mm–8 mm of the insulation from each PV cable.



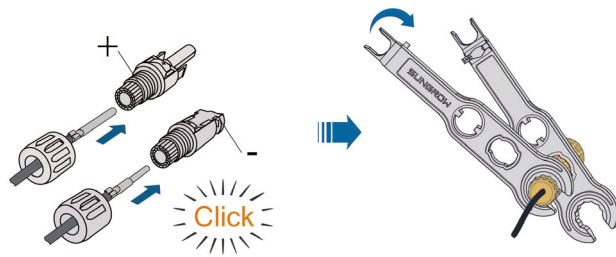
step 2 Assemble the cable ends with the crimping pliers.



1: Positive crimp contact

2: Negative crimp contact

step 3 Lead the cable through the cable gland, and insert the crimp contact into the insulator until it snaps into place. Gently pull the cable backward to ensure firm connection. Tighten the cable gland and the insulator (torque 2.5 N.m to 3 N.m).

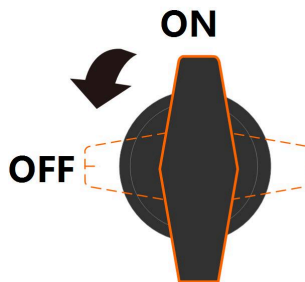


step 4 Check for polarity correctness.

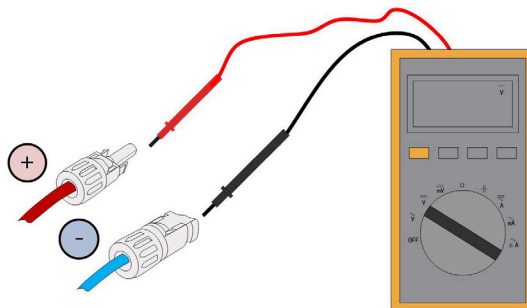
-- End

5.8.3 Installing PV Connector

step 1 Rotate the DC switch to "OFF" position.
The SG110CX-NI doesn't have a DC switch.



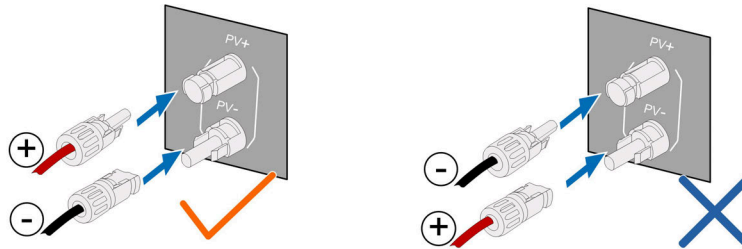
step 2 Check the cable connection of the PV string for polarity correctness and ensure that the open circuit voltage in any case does not exceed the inverter input limit of 1,100V.



NOTICE

The multimeter must have a DC voltage range of at least 1100 V. If the voltage is a negative value, the DC input polarity is incorrect. Please correct the DC input polarity. If the voltage is greater than 1100 V, too many PV modules are configured to the same string. Please remove some PV modules.

step 3 Connect the PV connectors to corresponding terminals until there is an audible click.



step 4 Follow the foregoing steps to connect PV connectors of other PV strings.

step 5 Seal any unused PV terminal with a terminal cap.

SUNGROW inverters cannot be used with third-party optimizers.

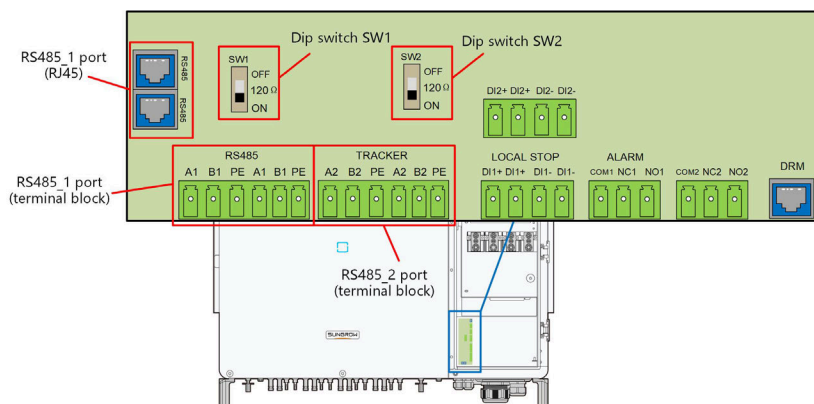
If the PV string is equipped with the optimizer, please refer to the optimizer manual for electrical connections and make sure that the polarity of the optimizer cables is correct.

-- End

5.9 RS485 Connection

5.9.1 Interface Description

The following figure shows the position of the communication wiring board as well as the terminals equipped for the wiring board.



The inverter is equipped with two groups of RS485 communication port for external communication connection, which are RS485_1 port and RS485_2 port.

The port RS485_1 is used to connect Logger, so as to implement data exchange with PC or other monitoring devices. Terminal definitions of the port are as follows:

table 5-3 RS485_1 port terminal definition (Terminal block)

No	Definition
A1	RS485 A IN, RS485A differential signal+
B1	RS485 B IN, RS485B differential signal-
PE	GND, shielded earthing point
A1	RS485 A OUT, RS485A differential signal+
B1	RS485 B OUT, RS485B differential signal-
PE	GND, shielded earthing point

table 5-4 RS485_1 port terminal definition (RJ45)

No	Definition
PIN1~2	N/A
PIN3	RS485 B, RS485B differential signal-
PIN4~5	N/A
PIN6	RS485 A, RS485A differential signal+
PIN7~8	N/A

The terminal block interface and RJ45 interface have the same function with different wiring manner. Select either interface for cable connection.

When multiple inverters are connected in the RS485 daisy chain, a 120Ω terminating resistor can be connected between the A and B communication cables through the RS485-dip switch, to ensure communication quality.

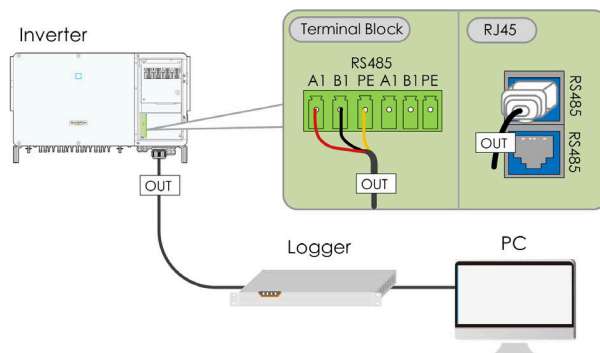
NOTICE

The RS485_1 interface is marked as SW1.

5.9.2 RS485 Communication System

Single-inverter Communication System

In case of a single inverter, communication cable connection requires only one RS485 cable.



Multi-inverter Communication System

In case of multiple inverters, all the inverters can be connected via RS485 cables in the daisy chain manner.

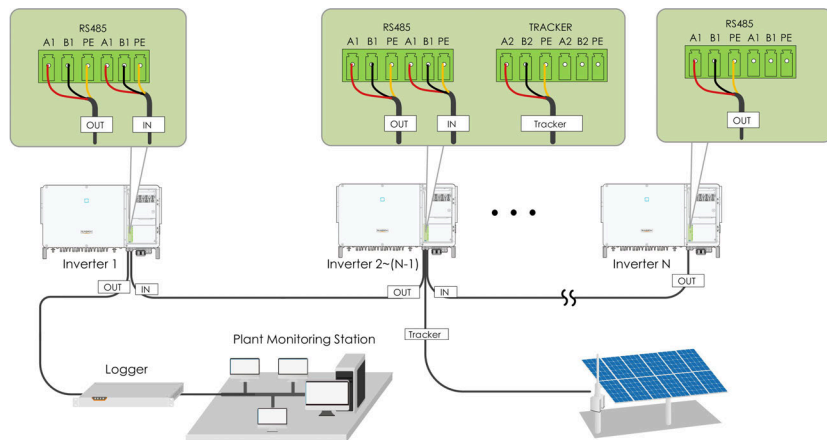


figure 5-5 Multi-inverter Communication System 【RS485_1 Interface (Terminal Block) 】

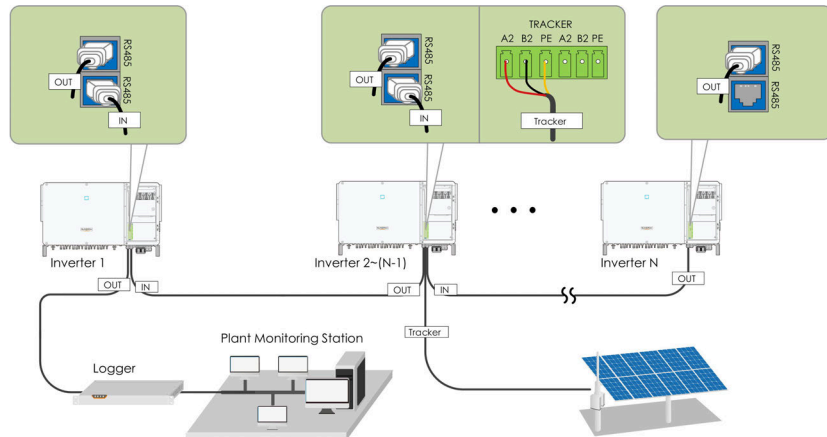


figure 5-6 Multi-inverter Communication System 【RS485_1 Interface (RJ45) 】

When more than 15 inverters are connected to the same daisy chain, in order to ensure the communication quality, the Logger at the first end of the daisy chain needs to be equipped with a terminal resistor of 120Ω , the inverter at the last end needs to be equipped with a RS485-dip switch (SW1), and the shielding layer of the communication cable should be single-point grounded.

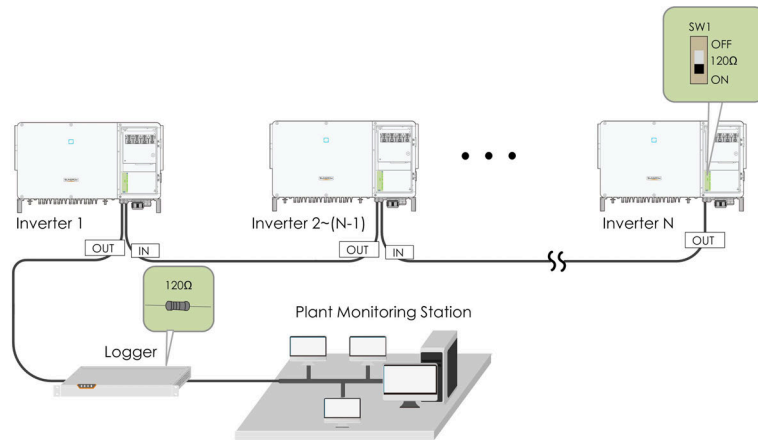


figure 5-7 Configuration of Dip Switch (N≥15)



The length of the RS485 cable and twisted pair cable should be no longer than 1,200m.

If multiple inverters are connected to the data collector Logger3000, the number of permissible daisy chains and the number of devices allowed to be connected should meet the requirements (refer to the user manual for the Logger3000).

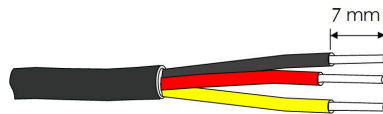
5.9.3 Connection Procedure(Terminal Block)



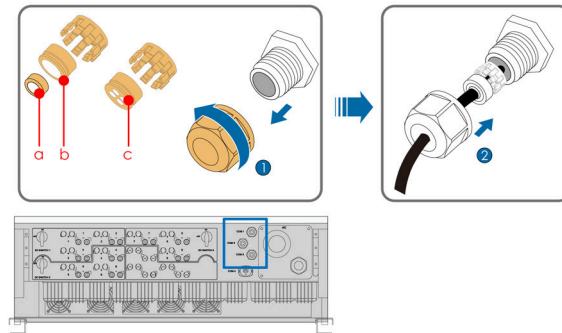
RS485 communication cables should be shielded twisted pair cables or shielded twisted pair Ethernet cables.

There are three communication terminals, and the silkscreen marks are COM1/ COM2/COM3. Please choose according to the actual situation.

step 1 Strip the protection layer and insulation layer by appropriate length.

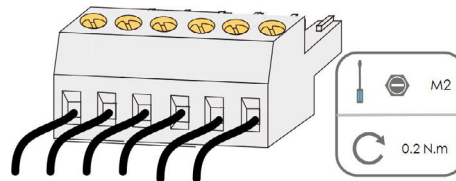


step 2 Loosen the swivel nut of the junction box and select an appropriate seal according to cable outer diameter. Lead the cable through the swivel nut, seal, and junction box successively.



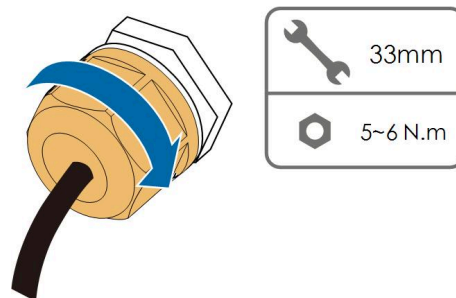
Outer Diameter D(mm)	Seal
4.5 ~ 6	c
6 ~ 12	a + b
12 ~ 18	b

step 3 Secure the cable to the terminal base.



step 4 Insert the terminal base into the corresponding terminal.

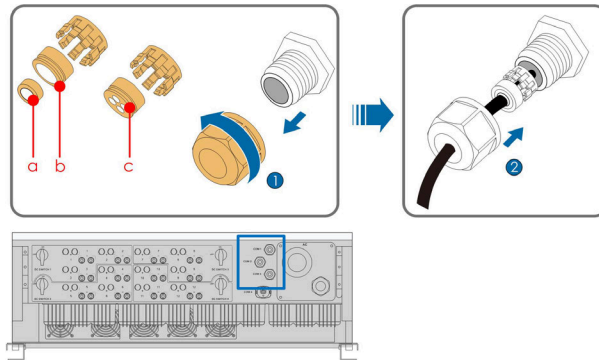
step 5 Pull the cable gently to make sure it is secured, tighten the swivel nut clockwise.



-- End

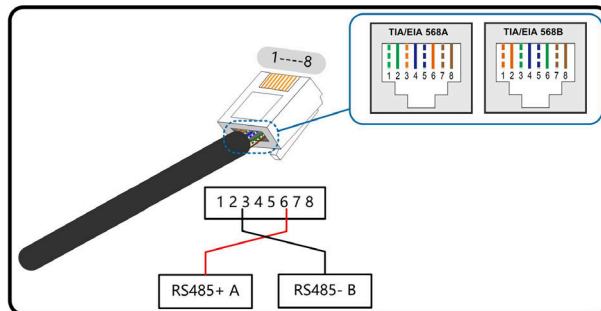
5.9.4 Connection Procedure (RJ45 Ethernet Port)

step 1 Loosen the swivel nut of the junction box and select an appropriate seal according to cable outer diameter. Lead the cable through the swivel nut, seal, and junction box successively.

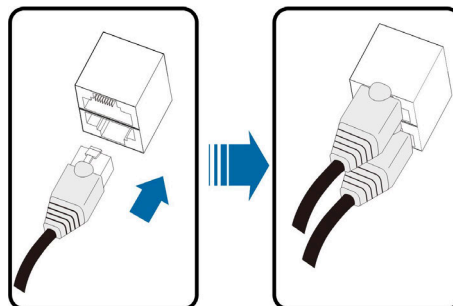


Outer Diameter D(mm)	Seal
4.5 ~ 6	c
6 ~ 12	a + b
12 ~ 18	b

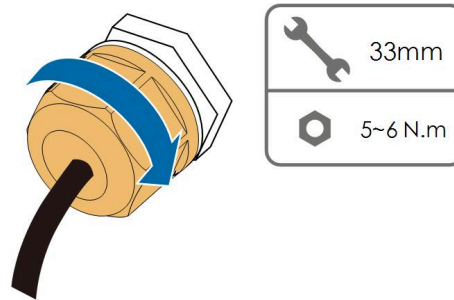
step 2 Strip the insulation layer of the Ethernet cable with a wire stripper, and insert the signal wires to the RJ45 connector(Pin 3 and Pin 6 are for communication connection). Crimp the RJ45 connector with a crimping tool.



step 3 Insert the RJ45 connector to the RJ45 jack.



step 4 Pull the cable gently to make sure it is secured, tighten the swivel nut clockwise.



-- End

5.10 Dry Contact Connection

NOTICE

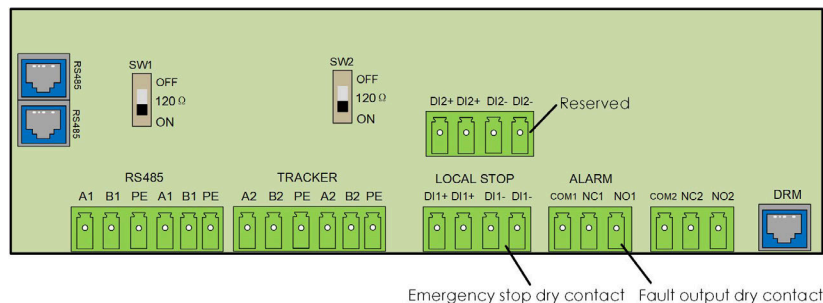
Dry contact cables require a cross section of 1 mm² to 1.5 mm².

The connection procedure of the dry contact is the same as that of the RS485 terminal block.

5.10.1 Dry Contact Function

The configuration circuit board is provided with fault output dry contact and emergency stop dry contact, as shown in the figure below.

Connection method of the dry contacts is similar to that of the RS485 terminal block.



DO terminal (fault output dry contact): The relay can be set to output fault alarms, and user can configure it to be a normally open contact (COM & NO) or a normally closed contact (COM & NC). If the earth fault occurs, the DO dry-contact will switch on automatically to signal the external alarm. The LED will turn red and a beeping sound will alarm until the fault is rectified, for internet connected products the error will also be sent to the portal.

The relay is initially at the NC contact, and it will trip to another contact when a fault occurs. When alarm occurs, signal status change will not be triggered.

Use LED indicators, or other equipment to indicate whether the inverter is in the faulty state. The following Figures show the typical applications of normally open contact and normally closed contact:

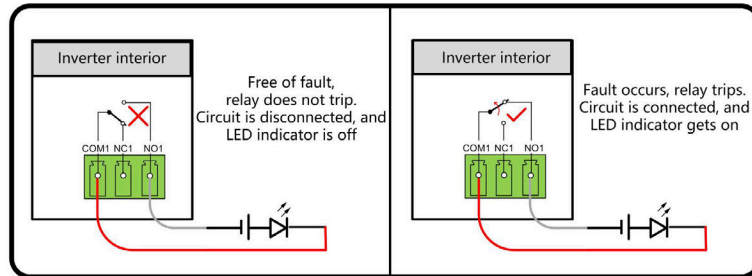


figure 5-8 Normally open contact

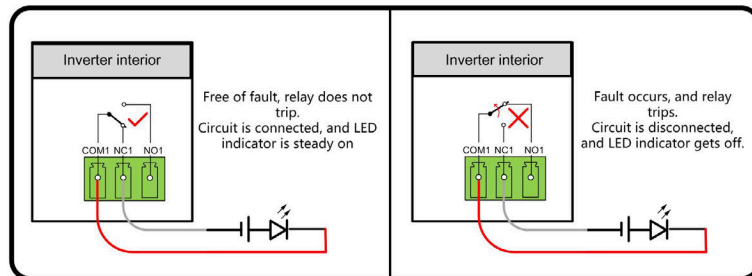


figure 5-9 Normally closed contact

Devices connected to the relay should comply with related requirements:

AC-Side Requirements	DC-Side Requirements
Max. voltage: 125Vac	Max. voltage: 30Vdc
Max. current: 5A	Max. current: 5A

DI terminal (emergency stop dry contact): the dry contact can be configured to be an emergency stop contact. Use either of the following methods for configuration.

Method 1 : When the DI + contact and DI-contact are shorted by external controlled switch (The external switch can be configured as normally open contact or normally closed contact), the inverter will immediately shutdown.

Method 2 : Passive Valid can be set. When Passive Valid is enabled on the iSolarCloud, the inverters will operate normally when DI + contact and DI-contact are shorted by external controlled switch, and the inverters will emergently stop when DI + contact and DI- contact are disconnected.



The dry contacts only support passive switch signal input.

The following figure shows the typical application of local stop dry contact.

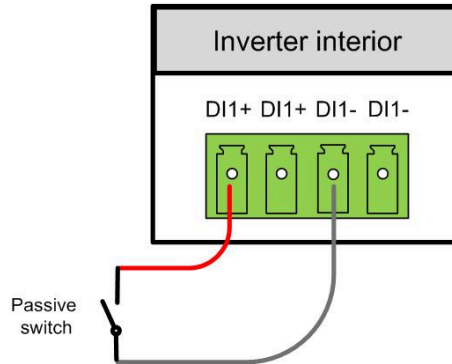


figure 5-10 Local stop contact

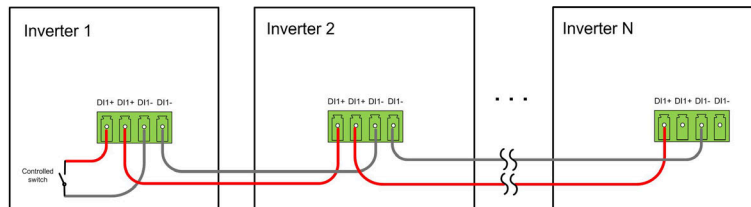


figure 5-11 Daisy chain topology

When wiring DI dry contacts, ensure that the maximum wiring distance meet the requirements in [10.2 Wiring Distance of DI Dry Contact](#).

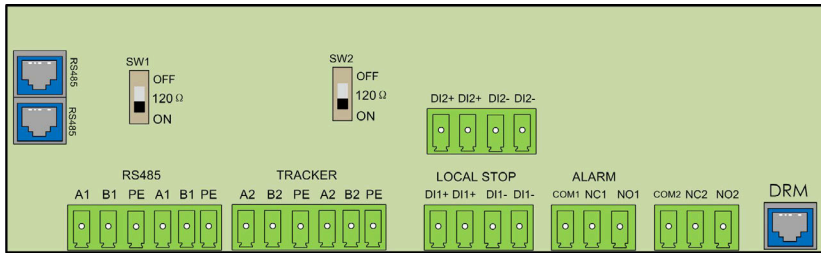
5.10.2 Wiring Procedure

Refer to the wiring of terminal block described in chapter [5.9.3 Connection Procedure\(Terminal Block\)](#) to implement fault output, emergency shutdown. For emergency shutdown(passive valid), enable the function on iSolarCloud, refer to [7.8.2 Operation Parameters](#).

5.11 DRM Connection (For Countries “AU” and “NZ”)

5.11.1 DRM Function

The inverter supports the demand response modes as specified in the standard AS/NZS 4777. The inverter has integrated a terminal for connecting to a DRED. After the connection, the method of asserting DRMs as specified in the follow table.



The mode DRM0 is supported by the inverter.

table 5-5 Method of Asserting DRMs

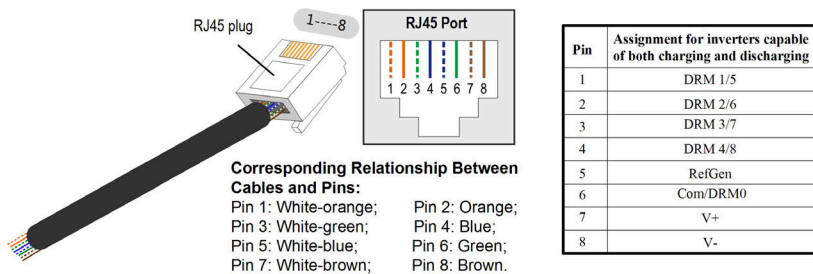
Mode	Method of Asserting
	Asserted by shorting pins 5 and 6
DRM0	Asserted when the impedance between pins 5 and 6 is detected to be above 20 kΩ



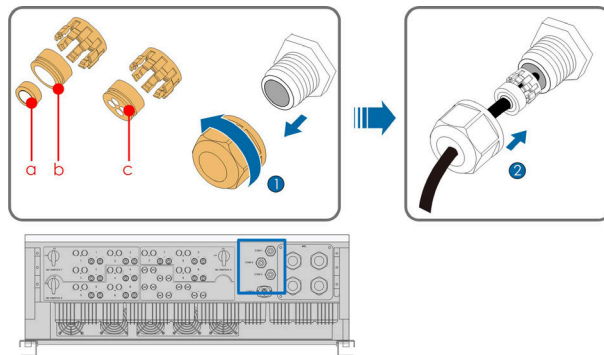
Enable the DRM function through the iSolarCloud App. If there are any problems, contact your distributor first. If the problem persists, contact SUNGROW. The DRM function is only applicable to devices for Australia and New Zealand.

5.11.2 Connection Procedure

step 1 Strip the insulation layer of the Ethernet cable with a wire stripper, and insert the signal wires to the RJ45 connector. Crimp the RJ45 connector with a crimping tool.

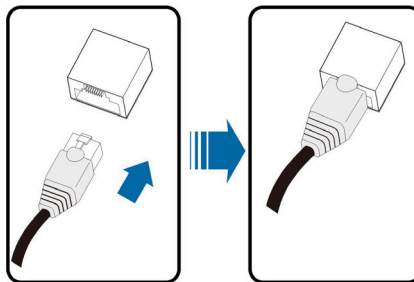


step 2 Loosen the swivel nut and select an appropriate seal according to cable outer diameter. Lead the cable through the swivel nut, and seal successively.



Outer Diameter D(mm)	Seal
4.5 ~ 6	c
6 ~ 12	a + b
13 ~ 18	b

step 3 Insert the RJ45 connector to the RJ45 jack.

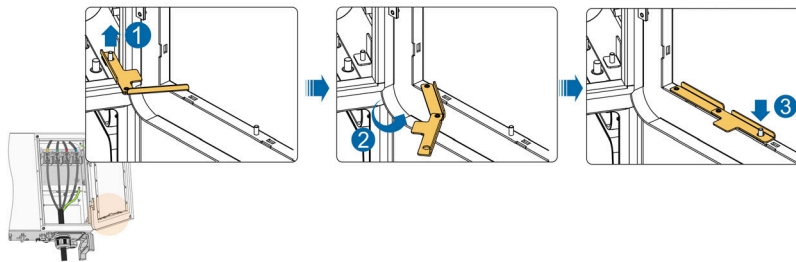


step 4 Pull the cable gently to make sure it is secured, tighten the swivel nut clockwise.

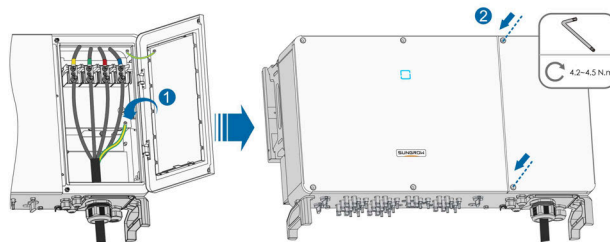
-- End

5.12 Closing the Wiring Compartment

step 1 Release the limit lever.



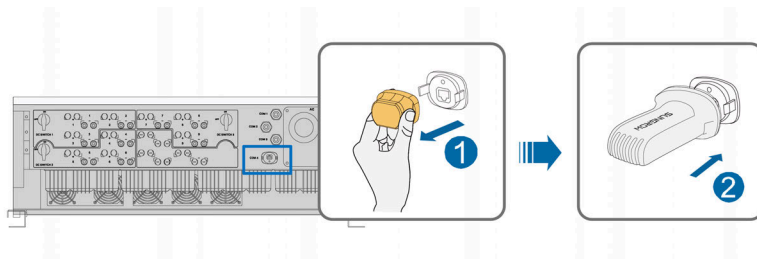
step 2 Close the wiring compartment and tighten the two screws on its front cover with supplied Allen wrench.



-- End

5.13 Communication Module Connection (optional)

Connect the communication module produced by SUNGROW to the communication accessory port. After successful connection, information such as power generation and running state of the inverter can be viewed via the APP on the phone.



*The image shown here is for reference only. The actual product you receive may differ.

NOTICE

Once the communication module is in use, do not connect the inverter to a 3rd party data logger at the same time via RS485.



For details on module installation and configuration, refer to the manual delivered together with the module.

6 Commissioning

6.1 Inspection Before Commissioning

Check the following items before starting the inverter:

- All equipment has been reliably installed.
- DC switch(es) and AC circuit breaker are in the "OFF" position.
- The ground cable is properly and reliably connected.
- The AC cable is properly and reliably connected.
- The DC cable is properly and reliably connected.
- The communication cable is properly and reliably connected.
- The vacant terminals are sealed.
- No foreign items, such as tools, are left on the top of the machine or in the junction box (if there is).
- The AC circuit breaker is selected in accordance with the requirements of this manual and local standards.
- All warning signs & labels are intact and legible.

6.2 Commissioning Procedure

If all of the items mentioned above meet the requirements, proceed as follows to start up the inverter for the first time.

step 1 Rotate the DC switch(if there is) of the inverter to "ON" position.

step 2 Connect the AC circuit breaker between the inverter and the grid.

NOTICE

- **Strictly follow the preceding sequence. Otherwise, the product may be damaged, and the loss caused is not covered by the warranty.**
- **If the DC side is powered up while the AC side is not, the inverter indicator may turn red, and the inverter will report a fault named “Grid Power Outage” (the fault information can be viewed on the iSolarCloud App, see “Records” for details). The fault is automatically cleared when the AC circuit breaker between the inverter and the grid is closed.**
- **Before closing the AC circuit breaker between the inverter and the power grid, use a multimeter that is set to the AC gear to ensure that the AC voltage is within the specified range. Otherwise, the inverter may be damaged.**

step 3 Connect the DC switch (if there is) between the inverter and the PV string.

step 4 Set initial protection parameters via the iSolarCloud App. For details, please refer to [7.2 Installing App](#), and [7.4.2 Login Procedure](#). If the irradiation and grid conditions meet requirements, the inverter will normally operate.

step 5 Observe the LED indicator to ensure that the inverter operates normally. Refer to [2.4 LED Indicator](#) for details.

⚠ WARNING

It is strictly forbidden to close the DC switch (if there is) if the inverter is in grid-connected status. Otherwise, the inverter may be damaged due to the lack of insulation impedance detection, and the loss caused is not covered by the warranty.

-- End

7 iSolarCloud App

7.1 Brief Introduction

The iSolarCloud App can establish communication connection to the inverter via the Bluetooth, thereby achieving near-end maintenance on the inverter. Users can use the App to view basic information, alarms, and events, set parameters, or download logs, etc.

*In case the communication module Eye, WiFi or WiNet-S is available, the iSolarCloud App can also establish communication connection to the inverter via the mobile data or WiFi, thereby achieving remote maintenance on the inverter.



- This manual describes only how to achieve near-end maintenance via the Bluetooth connection. For remote maintenance through the Eye, WiFi or WiNet-S, refer to the related manuals in the delivery scope.
- Screenshots in this manual are based on the Android system V2.1.6 , and the actual interfaces may differ.

7.2 Installing App

Method 1

Download and install the App through the following application stores:

- MyApp (Android, mainland China users)
- Google Play (Android, users other than mainland China ones)
- App Store (iOS)

Method 2

Scan the following QR code to download and install the App according to the prompt information.



The App icon appears on the home screen after installation.



7.3 Function Overview

The App provides parameter viewing and setting functions, as shown in the following figure.

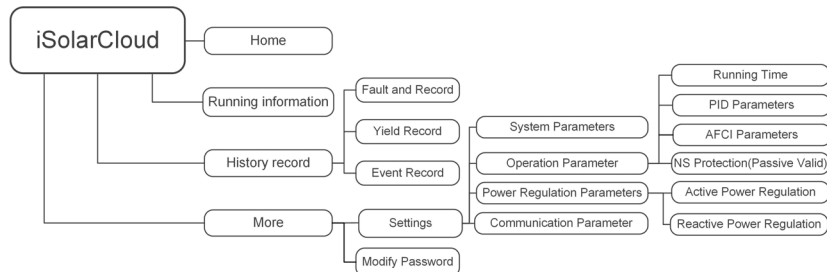


figure 7-1 App Function Tree Map

7.4 Login

7.4.1 Requirements

The following requirements should be met:

- The AC or DC side of the inverter is powered-on.
- The mobile phone is within 5 meters away from the inverter and there are no obstructions in between.
- The Bluetooth function of the mobile phone is enabled.



The inverter can only pair with one phone at a time through Bluetooth.

7.4.2 Login Procedure

step 1 Open the App to enter the login page, tap **Local Access** at the bottom of the page to go to the next page.

step 2 Establish the Bluetooth connection by either of the two following ways. If the LED indicator flashes blue, the connection is successfully established.

- Scan the QR code on the side of the inverter for Bluetooth connection.
- Tap "Manual connection" and select "Others" at the bottom of the page, the Bluetooth search page will automatically pop up, and select the inverter to be connected according to the SN on the nameplate on the side of the inverter body.

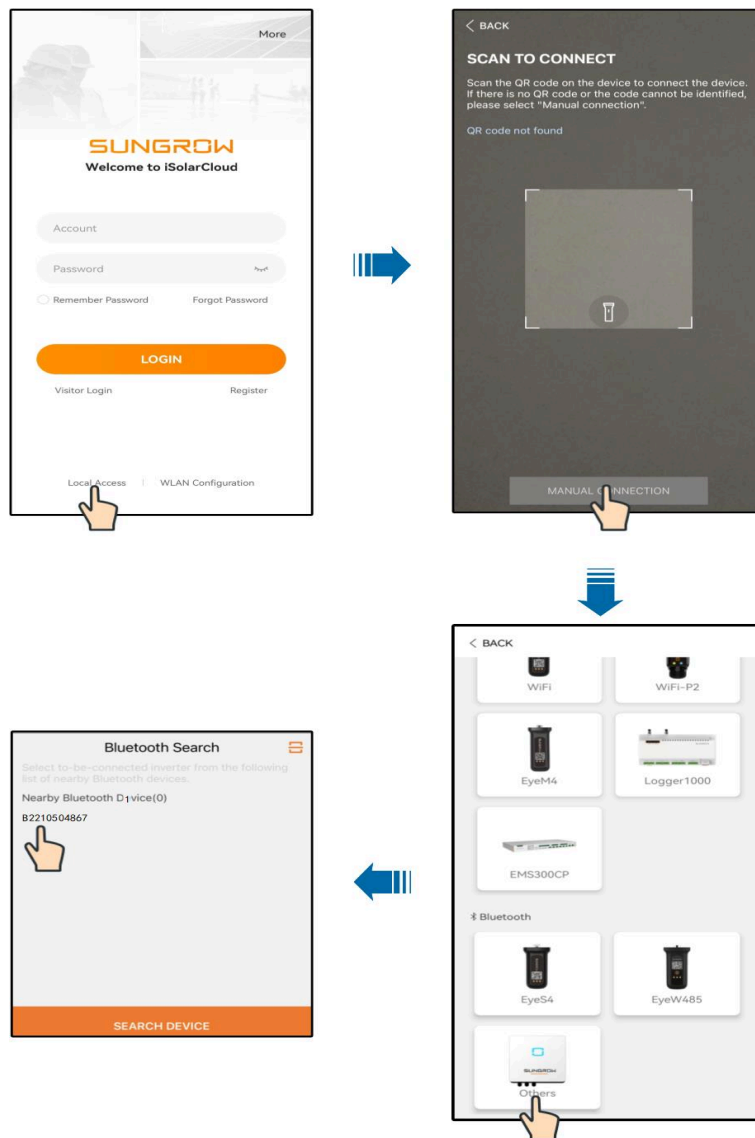


figure 7-2 Bluetooth Connection

step 3 Enter the identity verification interface after the Bluetooth connection is established.

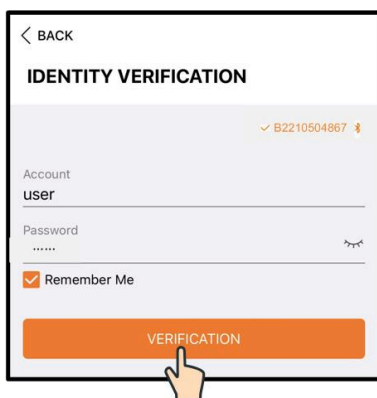


figure 7-3 Login



The Account is “user” , and the initial password is "pw1111" or "111111" which should be changed for the consideration of account security. To set inverter parameters related to grid protection and grid support, contact your distributor to obtain the advanced account and corresponding password. If the distributor is unable to provide the required information, contact SUNGROW.

step 4 If the inverter is not initialized, you will enter the quick setting interface of initializing protection parameters.

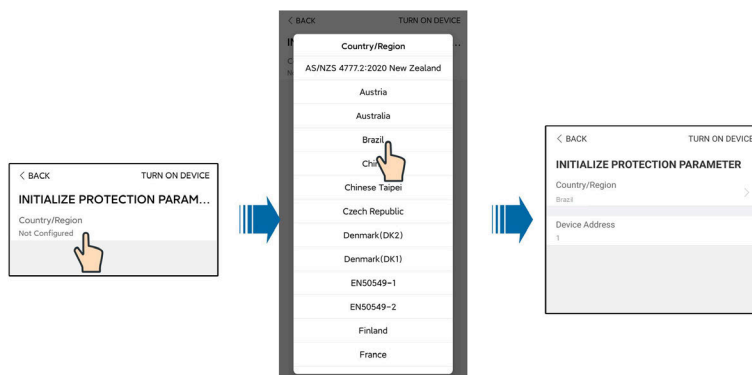


figure 7-4 Initialization Protection Parameter

NOTICE

The Country/Region must be set to the country where the inverter is installed. Otherwise, the inverter may report errors.

i In the European region, such as Sweden, Ireland, Hungary, Portugal, Romania, Greece, Ukraine etc. whose grid code complies with EN50549, select the parameter EN50549_1 (LV grid- connection) or EN50549_2 (MV grid-connection) with proper manual settings. In the Brazilian region, set the country code as "Brazil". Selecting "Brazil_230" or "Brazil_240" will cause setting failure.

step 5 When the country is set to Australia, additionally set the applicable network service provider and then the grid type. Tap **Power Company** to select the correct power company.

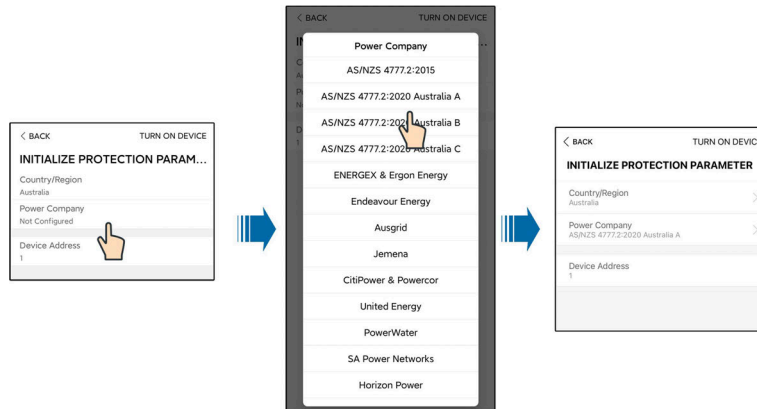


figure 7-5 Initialization Power Company

The image shown here is for reference only. Refer to the actual interface for the supported network service providers.

table 7-1 Power Company Information

Network Service Provider	Grid Type
AS/NZS 4777.2:2015	/
AS/NZS 4777.2:2020 Australia A	/
AS/NZS 4777.2:2020 Australia B	/
AS/NZS 4777.2:2020 Australia C	/
ENERGEX & Ergon Energy	<ul style="list-style-type: none"> • STNW1170: single phase < 10 kVA & three phase < 30 kVA • STNW1174 :30 kVA < PN ≤ 1500 kVA
Endeavour Energy	MDI 0043
Ausgrid	NS194
Jemena	<ul style="list-style-type: none"> • ≤ 10kVA per phase (or 30 kVA per three phase) • ELE GU 0014: 30-200kVA

Network Service Provider	Grid Type
CitiPower & Powercor	<ul style="list-style-type: none"> • ≤ 5 kVA for single-phase & 30 kVA for three-phase • > 30 kVA three-phase
United Energy	<ul style="list-style-type: none"> • UE-ST-2008.1: ≤ 10 kW for single-phase & 30 kW for three-phase • UE-ST-2008.2: > 30 kVA three-phase
PowerWater	Embedded Generation Notice Photovoltaic Systems:2020
SA Power Networks	<ul style="list-style-type: none"> • TS129-2019: < 10 kW for single-phase & 30 kW for three-phase • TS130-2017: > 30 kW & ≤ 200 kW • TS131-2018: > 200 kW
Horizon Power	<ul style="list-style-type: none"> • HPC-9DJ-13-0001-2019: ≤ 10 kVA for single-phase & 30 kVA for three-phase • HPC-9DJ-13-0002-2019: > 30 kVA & ≤1 MVA
westernpower	EDM # 33612889-2019
AusNet Services	Basic Micro Embedded Generation:2020

For compliance with AS/NZS 4777.2:2020, please select from Australia A/B/C. Please contact your electricity grid operator for which region to use.

step 6 After finishing the settings, tap **TUNR ON DEVICE** at the upper right corner and the device will be initialized. The App will send start instructions and the device will start and operate.

step 7 If the inverter is initialized, the App automatically turns to its home page.

-- End

7.5 Home

After login, the home page is as follows:

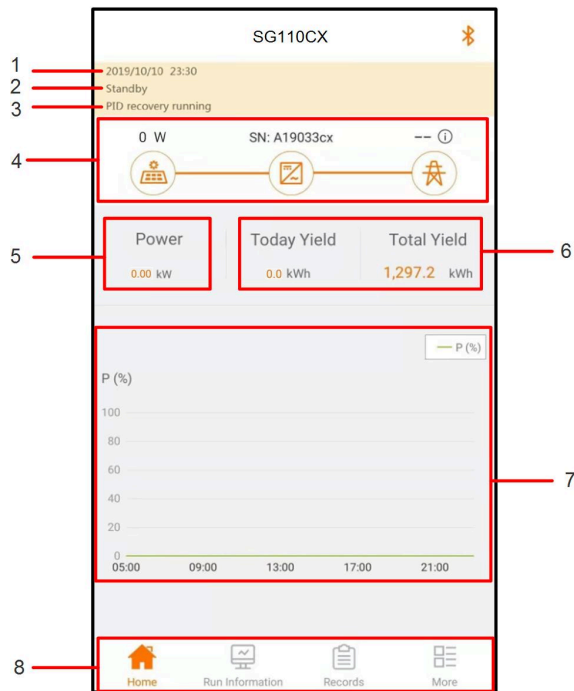


figure 7-6 Home Page

table 7-2 Home Page Description


No.	Designation	Description
1	Date and time	System date and time of the inverter
2	Inverter state	Present operation state of the inverter. For details, refer to table 7-3 Description of Inverter State .
3	PID function state	Present state of the PID function. For details, refer to table 7-4 Description of PID State
4	Power flow chart	Display the PV power generation power, feed-in power, etc. The line with an arrow indicates energy flow between connected devices, and the arrow pointing indicates energy flow direction.
5	Power generation	Today power yield and accumulative power yield of the inverter
6	Real-time power	Output power of the inverter
7	Power curve	Curve showing change of power between 5 am and 23 pm every day (Each point on the curve represents the percentage of present inverter power to rated power)
8	Navigation bar	Including "Home", "Run Information", "Records", and "More"

table 7-3 Description of Inverter State

State	Description
Run	After being energized, inverter tracks the PV arrays' maximum power point (MPP) and converts the DC power into AC power. This is the normal operation mode.
Stop	Inverter is stopped.
Press to Shut Down	Inverter will stop operation by tapping "Stop" via app. In this way, inverter internal DSP stops. Restart the inverter via app if needed.
Standby	Inverter enters standby mode when DC side input is insufficient. In this mode inverter will wait within the standby duration.
Initial standby	The inverter is in the initial power-on standby state.
Starting up	The inverter is initializing and synchronizing with the grid.
Warn run	Warning information is detected.
Derating running	The inverter derates actively due to environmental factors such as temperature or altitude
Dispatch Running	The inverter runs according to the scheduling instructions received from the monitoring background
Shut down	If a fault occurs, inverter will automatically stop operation, and the AC relay acts. The fault information will be displayed on the app. Once the fault is removed in recovery time, inverter will automatically resume running.

table 7-4 Description of PID State

State	Description
PID recovery running	The inverters perform PID recovery actively.
PID abnormality	It is detected that the ISO impedance is abnormal or the PID cannot work normally after the PID function is enabled.

If the inverter is running abnormally, the alarm or fault icon  will be displayed in the lower right corner of the inverter icon in power flow chart. The user can tap this icon to enter the alarm or fault interface to view detailed information and corrective measures.

7.6 Run Information

Tap **Run Information** on the navigation bar to enter the screen showing running information, slide the screen upwards to view all detailed information.

table 7-5 Run Information

Classifica- tion	Parameter	Description
PV Informa- tion	String n Voltage	The input voltage of the n th string
	String n current	The input current of the n th string
Inverter In- formation	Total On-grid Run- ning Time	/
	Daily On-grid Run- ning Time	/
	Negative Voltage to Ground	Inverter DC side negative to ground voltage value
	Bus Voltage	Voltage between the positive and negative poles of the DC side of the inverter
	Internal Air Tempera- ture	/
	Array Insulation Re- sistance	Insulation resistance value of the input side to the protection ground
	Country Information	/
	Power Limitation Mode	/
	Reactive Power Mode	/
	Input	Total DC Power
MPPT x Voltage		The input voltage of the x th MPPT
MPPT x Current		The input current of the x th MPPT
Output	Daily Yield	/
	Monthly Yield	/
	Annual Yield	/
	Total Active Power	Current active power value of the inverter
	Total Reactive Power	Current reactive power value of the inverter
	Total Apparent Power	Current apparent power value of the inverter
	Total Power Factor	Power factor of the AC side of the inverter
	Gird Frenquency	Frequency of the AC side of the inverter
	A-B Line Voltage	Line voltage
	B-C Line Voltage	
	C-A Line Voltage	
	Phase A Current	Phase current
	Phase B Current	

Classification	Parameter	Description
	Phase C Current	

7.7 Records

Tap **Records** on the navigation bar to enter the interface showing event records, as shown in the following figure.



figure 7-7 Records

Fault Alarm Record

Tap **Fault Alarm Record** to enter the interface, as shown in the following figure.

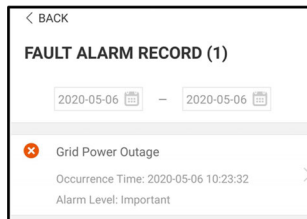



figure 7-8 Fault Alarm Record



Tap  to select a time segment and view corresponding records. The inverter can record up to 400 latest entries.

Select one of the records in the list and tap the record to view the detailed fault information as shown in following figure.

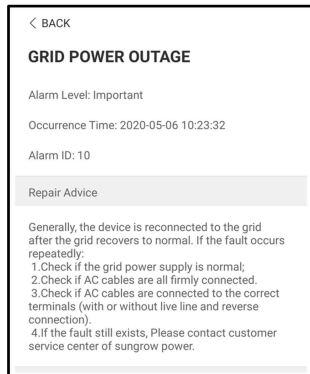


figure 7-9 Detailed Fault Alarm Information

Yield Record

Tap **Yield Record** to enter the interface showing daily power generation as shown in the following figure.

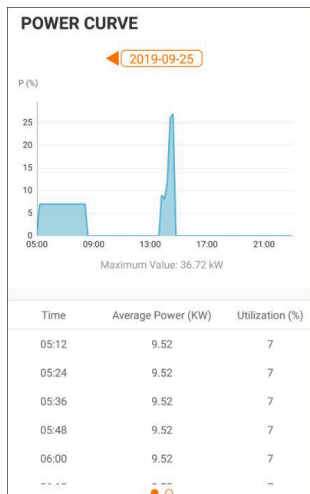


figure 7-10 Power Curve

The App displays power generation records in a variety of forms, including daily power generation graph, monthly power generation histogram, annual power generation histogram and total power generation histogram.

table 7-6 Yield Record Explanation

Parameter	Description
Power curve	Shows the power output from 5 am to 11 pm in a single day. Each point on the curve represents the percentage of present inverter power to rated power.

Parameter	Description
Daily yield histogram	Shows the power output every day in the present month.
Monthly yield histogram	Shows the power output every month in a year.
Annual yield histogram	Shows the power output every year.


Tap the time bar on the top of the interface to select a time segment and view the corresponding power curve.

Swipe left to check the power yields histogram.

Event Record

Tap **Event Record** to view event record list.



Click  to select a time segment and view corresponding records. The inverter can record up to 400 latest entries.

7.8 More

Tap **More** on the navigation bar to enter the corresponding interface, as shown in the following figure.

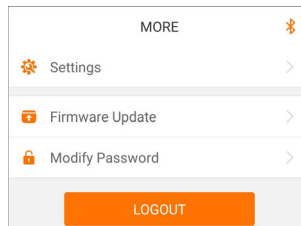


figure 7-11 More

7.8.1 System Parameters

Tap **Settings > System Parameters** to enter the corresponding interface, as shown in the following figure.

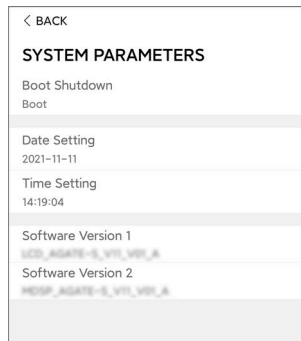


figure 7-12 System Parameters

* The image shown here is for reference only.

Boot/Shutdown

Tap **Boot/Shutdown** to send the boot/shutdown instruction to the inverter.

For Australia and New Zealand, when the DRM state is DRM0, the "Boot" option will be prohibited.

Date Setting/Time Setting

The correct system time is very important. Wrong system time will directly affect the data logging and power generation value. The clock is in 24-hour format.

Software Version

Version information of the current firmware.

7.8.2 Operation Parameters

Running Time

Tap **Settings > Operation Parameters > Running Time** to enter the corresponding interface.

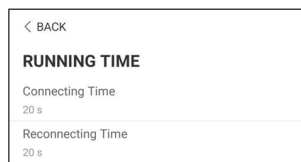


figure 7-13 Running Time

PID Parameters

Tap **Settings > Operation Parameters > PID Parameters** to enter the corresponding interface.

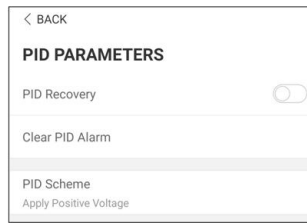


figure 7-14 PID Parameters

table 7-7 PID Parameter Description

Parameter	Description
PID Recovery	Enable/Disable the PID night recovery function. Once enabled, it works between 22:00 pm and 5:00 am by default.
Clear PID alarm	If ISO impedance abnormality or PID function exception is detected during running of the PID function, the inverter reports a PID abnormality and reminds the user to take corresponding measures. Clear the alarm report via this parameter once the problems are handled.
PID Scheme	Apply negative or positive voltage.



After the PID night recovery function is enabled, the fault indicator on the inverter front panel turns green.

AFCI Parameters(Optional)

Tap **Settings > Operation Parameters > AFCI Parameters** to enter the corresponding screen, on which you can set **AFCI Parameters**.

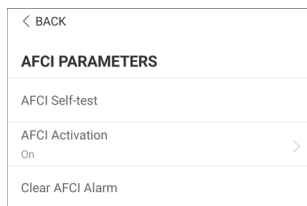


figure 7-15 AFCI Setting

NS Protection (Passive Valid)

Tap **Settings > Operation Parameters > Regular Parameters** to enter the corresponding screen, on which you can set the **NS Protection(Passive Valid)**.

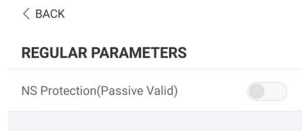


figure 7-16 NS Protection(Passive Valid)

7.8.3 Power Regulation Parameters

Active Power Regulation

Tap **Settings > Power Regulation Parameters > Active Power Regulation** to enter the screen, as shown in the following figure.

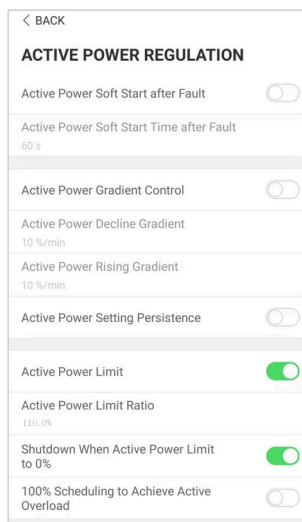


figure 7-17 Active Power Regulation

table 7-8 Active Power Regulation

Parameter	Definition/Setting Description	Range
Active power soft start after fault	The switch for enabling/disabling the soft start function after a fault occurs.	Enable/Disable
Active power soft start time after fault	Time that the soft start takes to raise the power from 0 to 100% rated power.	1s~1200s
Active power gradient control	Switch for enabling/disabling the active power rate settable function.	Enable/Disable
Active power decline gradient	The decline rate of inverter active power per minute.	3%/min~6000%/min

Parameter	Definition/Setting Description	Range
Active power rising gradient	The rise rate of inverter active power per minute.	3%/min~6000%/min
Active power setting persistence	Switch for enabling/disabling the function of saving output limited power.	Enable/Disable
Active power limit	The switch for limiting output power.	Enable/Disable
Active power limit ratio	The ratio of limiting output power to rated power in percentage.	0%~110%
Shutdown when active power limit to 0%	Switch used to determine whether the inverter is in stop state when the limited power reaches 0.	Enable/Disable

Reactive Power Regulation

Tap **Settings > Power Regulation Parameters > Reactive Power Regulation** to enter the screen, as shown in the following figure.

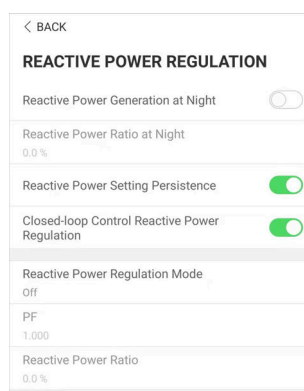


figure 7-18 Reactive Power Regulation

table 7-9 Reactive Power Regulation

Parameter	Definition/Setting Description	Range
Reactive power generation at night	Switch for enabling/disabling Q at night function.	Enable/Disable
Reactive power ratio at night	Reactive power ratio set for the Q at night function.	-100%~0%/0%~100%

Parameter	Definition/Setting Description	Range
Reactive power setting persistence	Switch for enabling/disabling the power-off function during reactive power.	Enable/Disable
Reactive power regulation mode	—	Off/PF/Qt/Q(P)/Q(U)
Reactive power regulation	Switch for enabling/disabling reactive response function.	Enable/Disable
Reactive power regulation time	Ends time of reactive response.	0.1s~600.0s
Q(P)Curve	Select corresponding curve according to local regulations	Curve A/Curve B/Curve C*
QP_P1	Output power at P1 on the Q(P) mode curve (in percentage)	10.0%~100.0%
QP_P2	Output power at P2 on the Q(P) mode curve (in percentage)	20.0%~100.0%
QP_P3	Output power at P3 on the Q(P) mode curve (in percentage)	20.0%~100.0%
QP_K1	Power factor at P1 on the Q(P) mode curve	Curve A/Curve C: 0.800~1.000 Curve B: [-0.600~0.600]*Active Overload Rate/1000
QP_K2	Power factor at P2 on the Q(P) mode curve	Curve A/Curve C: 0.800~1.000 Curve B: [-0.600~0.600]*Active Overload Rate/1000
QP_K3	Power factor at P3 on the Q(P) mode curve	Curve A/Curve C: 0.800~1.000 Curve B: [-0.600~0.600]*Active Overload Rate/1000
QP_EnterVoltage	Voltage percentage for Q(P) function activation	100.0%~110.0%
QP_ExitVoltage	Voltage percentage for Q(P) function deactivation	90.0%~100.0%
QP_EXitPower	Power percentage for Q(P) function deactivation	1.0%~20.0%
QP_EnableMode	Unconditional activation/deactivation of Q(P) function	Yes/No

Parameter	Definition/Setting Description	Range	
Q(U)Curve	Select the corresponding curve according to local regulations	Curve A/Curve B/Curve C*	
QU_V1	Pre-set grid voltage U1 that is reactive according to the grid voltage	80.0%~100.0%	
QU_Q1	Pre-set proportion of reactive power according to the grid voltage U1	[-60.0%-0]* Rate/1000	Overload
QU_V2	Pre-set grid voltage U2 that is reactive according to the grid voltage.	80.0%~100.0%	
QU_Q2	Pre-set proportion of reactive power according to the grid voltage U2.	[-60.0%-60.0%]* Rate/1000	Overload
QU_V3	Pre-set grid voltage U3 that is reactive according to the grid voltage.	100.0%~120.0%	
QU_Q3	Pre-set proportion of reactive power according to the grid voltage U3.	[-60.0%-60.0%]* Rate/1000	Overload
QU_V4	Pre-set grid voltage U4 that is reactive according to the grid voltage.	100.0%~120.0%	
QU_Q4	Pre-set proportion of reactive power according to the grid voltage U4.	[0-60.0%]* Rate/1000	Overload
QU_EnterPower	Active power for Q(U) function activation	20.0%~100.0%	
QU_EXitPower	Active power for Q(U) function deactivation	1.0%~20.0%	
QU_EnableMode	Unconditional activation/deactivation of Q(U) function	Yes/No/Yes,Limited by PF	
QU_Limited PF Value	—	0-0.95	

**Curve C is reserved and consistent with Curve A currently.

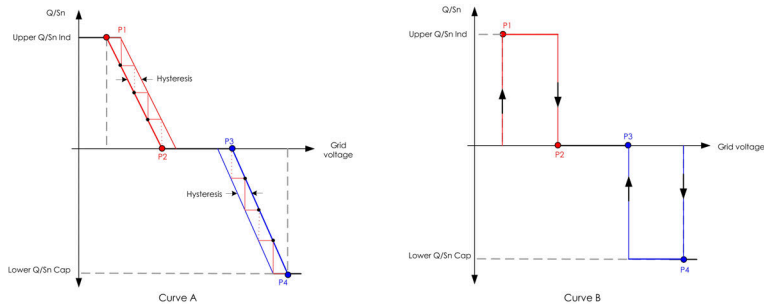


figure 7-19 Q(U) Curve

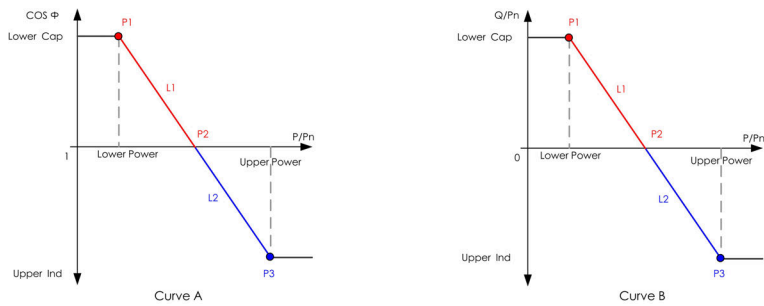


figure 7-20 Q(P) Curve

7.8.4 Communication Parameters

Serial Port Parameters

Tap **Settings > Communication Parameters > Serial Port Parameters** to enter the corresponding interface, as shown in the following figure.

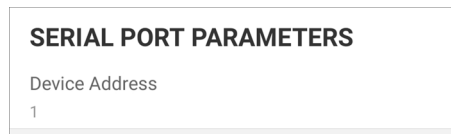


figure 7-21 Serial Port Parameters

table 7-10 Serial Port Parameters

Parameter	Range
Device Address	1–246

MPLC Parameters

Tap **Settings > Communication Parameters > MPLC Parameters** to enter the corresponding interface, as shown in the following figure.

MPLC PARAMETERS	
Band Num	Band1
Array ID	1
Winding ID	1

figure 7-22 MPLC Parameters

table 7-11 MPLC Parameters

Parameter	Range
Band Num	Band1, Band2
Array ID	1–255
Winding ID	1–10

7.8.5 Firmware Update

To avoid download failure due to poor on-site network signal, it is recommended to download the firmware package to the mobile device in advance.


Perform firmware update only during high irradiance conditions in order to prevent equipment failure.

step 1 Enable the "Mobile data" of the mobile device.


step 2 Open the App, enter the account and password on the login interface. Tap **Login** to enter the home interface.

step 3 Tap **More > Firmware Download** to enter corresponding interface on which you can view the device list.

step 4 Select the device model before downloading the firmware. Tap the device name in the device list

to enter the firmware upgrade package detail interface, and tap  behind the firmware upgrade package to download it.



step 5 Return to the **Firmware Download** interface, tap  in the upper right corner of the interface to view the downloaded firmware upgrade package.

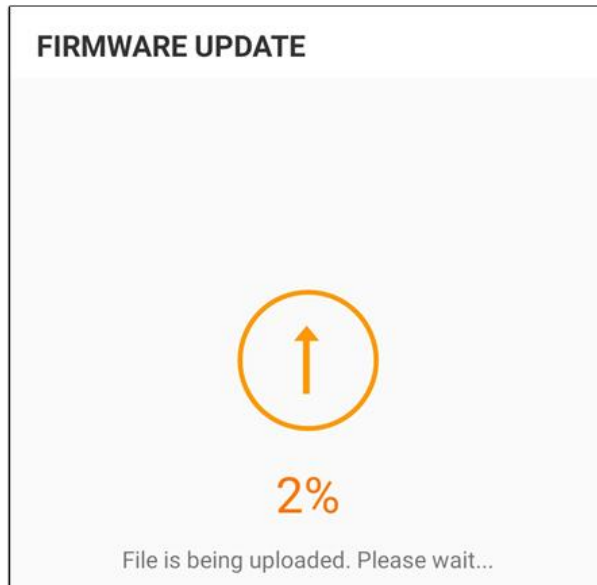
step 6 Login the App via local access. Refer to [7.4 Login](#).

step 7 Tap **More** on the App home page and then tap **Firmware Update**.

step 8 Tap the upgrade package file, a prompt box will pop up asking whether to upgrade the firmware with the file, tap **CONFIRM** to perform the firmware upgrade.



step 9 Wait for the file to be uploaded. When the upgrade is finished, a message is displayed indicating that the upgrade is completed. Tap **Complete** to end the upgrade.



-- End

7.8.6 Grounding Detection



Contact your distributor to obtain the advanced account and corresponding password before setting the earth detection parameters. If the distributor is unable to provide the required information, contact SUNGROW. Unauthorized personnel are not allowed to log in with this account. Otherwise, SUNGROW shall not be held liable for any damages caused.

Tap **More > Settings > Operation Parameters > Grounding Detection** to enter the corresponding screen.



figure 7-23 Grounding Detection

If the grounding detection is enabled, the DO relay will switch on automatically to signal the external alarm if the value exceeds the grounding detection alarm value.

The PV insulation resistance fault (fault sub-code 039) will trigger the DO relay to signal the external alarm.

7.8.7 Password Changing

Tap **Modify Password** to enter the modify password interface, as shown in the following figure.

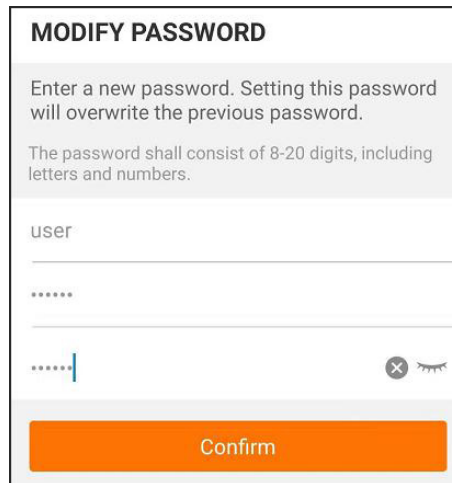


figure 7-24 Modify Password

The password shall consist of 8–20 digits, including letters and numbers.

8 System Decommissioning

8.1 Disconnecting Inverter

CAUTION

Danger of burns!

Even if the inverter is shut down, it may still be hot and cause burns. Wear protective gloves before operating the inverter after it cools down.

For maintenance or other service work, the inverter must be switched off.

Proceed as follows to disconnect the inverter from the AC and DC power sources. Lethal voltages or damage to the inverter will follow if otherwise.

- step 1** Disconnect the external AC circuit breaker and prevent it from inadvertent reconnection.
- step 2** Rotate the DC switch(if there is) to the "OFF" position for disconnecting all of the PV string inputs.
- step 3** Wait about 5 minutes until the capacitors inside the inverter completely discharge.
- step 4** Ensure that the DC cable is current-free with a current clamp.

-- End

8.2 Dismantling the Inverter

CAUTION

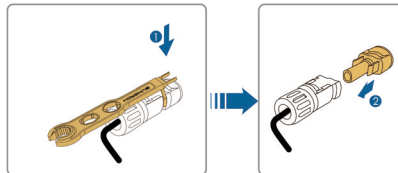
Risk of burn injuries and electric shock!

After the inverter is powered off for 5 minutes, measure the voltage and current with professional instrument. Only when there is no voltage nor current can operators who wear protective equipment operate and maintain the inverter.



- Before dismantling the inverter, disconnect the inverter from both AC and DC power sources.
- If there are more than two layers of inverter DC terminals, dismantle the outer DC connectors before dismantling the inner ones.
- If the original packing materials are available, put the inverter inside them and then seal them using adhesive tape. If the original packing materials are not available, put the inverter inside a cardboard box suitable for the weight and size of this inverter and seal it properly.

step 1 Refer to [5 Electrical Connection](#), for the inverter disconnection of all cables in reverse steps. In particular, when removing the DC connector, use an MC4 wrench to loosen the locking parts and install waterproof plugs.



step 2 Refer to [4 Mechanical Mounting](#), to dismantle the inverter in reverse steps.

step 3 If necessary, remove the wall-mounting bracket from the wall.

step 4 If the inverter will be used again in the future, please refer to [3.3 Inverter Storage](#) for a proper conservation.

-- End

8.3 Disposal of Inverter

Users take the responsibility for the disposal of the inverter.

WARNING

Please scrap the inverter in accordance with relevant local regulations and standards to avoid property losses or casualties.

NOTICE

Some parts of the inverter may cause environmental pollution. Please dispose of them in accordance with the disposal regulations for electronic waste applicable at the installation site.

9 Troubleshooting and Maintenance

9.1 Troubleshooting

Once the inverter fails, the fault information is displayed on the App interface. If the inverter is equipped with an LCD screen, the fault information can be viewed on it.

The fault codes and troubleshooting methods of all PV inverters are detailed in the table below, and only some of the faults may occur to the model you purchased. When a fault occurs, you can check the fault information according to the fault code on the mobile app.

Fault Code	Fault Name	Corrective Measures
2, 3, 14, 15	Grid Overvoltage	<p>Generally, the inverter will be reconnected to the grid after the grid returns to normal. If the fault occurs repeatedly:</p> <ol style="list-style-type: none">1. Measure the actual grid voltage, and contact the local electric power company for solutions if the grid voltage is higher than the set value.2. Check whether the protection parameters are appropriately set via the App or the LCD. Modify the overvoltage protection values with the consent of the local electric power operator.3. Contact Sungrow Customer Service if the preceding causes are ruled out and the fault persists.
4, 5	Grid Undervoltage	<p>Generally, the inverter will be reconnected to the grid after the grid returns to normal. If the fault occurs repeatedly:</p> <ol style="list-style-type: none">1. Measure the actual grid voltage, and contact the local electric power company for solutions if the grid voltage is lower than the set value.2. Check whether the protection parameters are appropriately set via the App or the LCD.3. Check whether the AC cable is firmly in place.4. Contact Sungrow Customer Service if the preceding causes are ruled out and the fault persists.

Fault Code	Fault Name	Corrective Measures
8	Grid Overfrequency	Generally, the inverter will be reconnected to the grid after the grid returns to normal. If the fault occurs repeatedly:
9	Grid Underfrequency	<ol style="list-style-type: none"> 1. Measure the actual grid frequency, and contact the local electric power company for solutions if the grid frequency is beyond the set range. 2. Check whether the protection parameters are appropriately set via the App or the LCD. 3. Contact Sungrow Customer Service if the preceding causes are ruled out and the fault persists.
10	Grid Power Outage	<p>Generally, the inverter will be reconnected to the grid after the grid returns to normal. If the fault occurs repeatedly:</p> <ol style="list-style-type: none"> 1. Check whether the grid supplies power reliably. 2. Check whether the AC cable is firmly in place. 3. Check whether the AC cable is connected to the correct terminal (whether the live wire and the N wire are correctly in place). 4. Check whether the AC circuit breaker is connected. 5. Contact Sungrow Customer Service if the preceding causes are ruled out and the fault persists.
12	Excess Current Leakage	<ol style="list-style-type: none"> 1. The fault can be caused by poor sunlight or damp environment, and generally the inverter will be reconnected to the grid after the environment is improved. 2. If the environment is normal, check whether the AC and DC cables are well insulated. 3. Contact Sungrow Customer Service if the preceding causes are ruled out and the fault persists.
13	Grid Abnormal	<p>Generally, the inverter will be reconnected to the grid after the grid returns to normal. If the fault occurs repeatedly:</p> <ol style="list-style-type: none"> 1. Measure the actual grid, and contact the local electric power company for solutions if the grid parameter exceeds the set range. 2. Contact Sungrow Customer Service if the preceding causes are ruled out and the fault persists.

Fault Code	Fault Name	Corrective Measures
17	Grid Voltage Imbalance	<p>Generally, the inverter will be reconnected to the grid after the grid returns to normal. If the fault occurs repeatedly:</p> <ol style="list-style-type: none"> 1. Measure the actual grid voltage. If grid phase voltages differ greatly, contact the electric power company for solutions. 2. If the voltage difference between phases is within the permissible range of the local power company, modify the grid voltage imbalance parameter through the App or the LCD. 3. Contact Sungrow Customer Service if the preceding causes are ruled out and the fault persists.
28, 29, 208, 212, 448-479	PV Reserve Connection Fault	<ol style="list-style-type: none"> 1. Check whether the corresponding string is of reverse polarity. If so, disconnect the DC switch and adjust the polarity when the string current drops below 0.5 A. 2. Contact Sungrow Customer Service if the preceding causes are ruled out and the fault persists. <p>*The code 28 to code 29 are corresponding to PV1 to PV2 respectively. *The code 448 to code 479 are corresponding to string 1 to string 32 respectively.</p>
532-547, 564-579	PV Reverse Connection Alarm	<ol style="list-style-type: none"> 1. Check whether the corresponding string is of reverse polarity. If so, disconnect the DC switch and adjust the polarity when the string current drops below 0.5 A. 2. Contact Sungrow Customer Service if the preceding causes are ruled out and the alarm persists. <p>*The code 532 to code 547 are corresponding to string 1 to string 16 respectively. *The code 564 to code 579 are corresponding to string 17 to string 32 respectively.</p>

Fault Code	Fault Name	Corrective Measures
548-563, 580-595	PV Abnormal Alarm	<p>Check whether the voltage and current of the inverter is abnormal to determine the cause of the alarm.</p> <ol style="list-style-type: none"> 1. Check whether the corresponding module is sheltered. If so, remove the shelter and ensure module cleanness. 2. Check whether the battery board wiring is loose, if so, make it reliably connected. 3. Check if the DC fuse is damaged. If so, replace the fuse. 4. Contact Sungrow Customer Service if the preceding causes are ruled out and the alarm persists. <p>*The code 548 to code 563 are corresponding to string 1 to string 16 respectively. *The code 580 to code 595 are corresponding to string 17 to string 32 respectively.</p>
37	Excessively High Ambient Temperature	<p>Generally, the inverter will resume operation when the internal or module temperature returns to normal. If the fault persists:</p> <ol style="list-style-type: none"> 1. Check whether the ambient temperature of the inverter is too high; 2. Check whether the inverter is in a well-ventilated place; 3. Check whether the inverter is exposed to direct sunlight. Shield it if so; 4. Check whether the fan is running properly. Replace the fan if not; 5. Contact Sungrow Power Customer Service if the fault is due to other causes and the fault persists.
43	Excessively Low Ambient Temperature	<p>Stop and disconnect the inverter. Restart the inverter when the ambient temperature rises within the operation temperature range.</p>

Fault Code	Fault Name	Corrective Measures
39	Low System Insulation Resistance	<p>Wait for the inverter to return to normal. If the fault occurs repeatedly:</p> <ol style="list-style-type: none"> 1. Check whether the ISO resistance protection value is excessively high via the app or the LCD, and ensure that it complies with the local regulations. 2. Check the resistance to ground of the string and DC cable. Take corrective measures in case of short circuit or damaged insulation layer. 3. If the cable is normal and the fault occurs on rainy days, check it again when the weather turns fine. 4. If there are batteries, check whether battery cables are damaged and whether terminals are loose or in poor contact. If so, replace the damaged cable and secure terminals to ensure a reliable connection. 5. Contact Sungrow Customer Service if the preceding causes are ruled out and the fault persists.
106	Grounding Cable Fault	<ol style="list-style-type: none"> 1. Check whether the AC cable is correctly connected. 2. Check whether the insulation between the ground cable and the live wire is normal. 3. Contact Sungrow Customer Service if the preceding causes are ruled out and the fault persists.
88	Electric Arc Fault	<ol style="list-style-type: none"> 1. Disconnect the DC power supply, and check whether any DC cable is damaged, the connection terminal or fuse is loose or there is a weak contact. If so, replace the damaged cable, fasten the terminal or fuse, and replace the burnt component. 2. After performing step 1, reconnect the DC power supply, and clear the electric arc fault via the App or the LCD, after that the inverter will return to normal. 3. Contact Sungrow Customer Service if the fault persists.

Fault Code	Fault Name	Corrective Measures
84	Reverse Connection Alarm of the Meter/CT	<ol style="list-style-type: none"> 1. Check if the meter is wrongly connected. 2. Check if the input and output wiring of the meter is reversed. 3. If the existing system is enabled, please check if the rated power setting of the existing inverter is correct.
514	Meter Communication Abnormal Alarm	<ol style="list-style-type: none"> 1. Check whether the communication cable and the terminals are abnormal. If so, correct them to ensure reliable connection. 2. Reconnect the communication cable of the meter. 3. Contact Sungrow Customer Service if the preceding causes are ruled out and the alarm persists.
323	Grid Confrontation	<ol style="list-style-type: none"> 1. Check whether the output port is connected to actual grid. Disconnect it from the grid if so. 2. Contact Sungrow Customer Service if the preceding causes are ruled out and the fault persists.
75	Inverter Parallel Communication Alarm	<ol style="list-style-type: none"> 1. Check whether the communication cable and the terminals are abnormal. If so, correct them to ensure reliable connection. 2. Reconnect the communication cable of the meter. 3. Contact Sungrow Customer Service if the preceding causes are ruled out and the alarm persists.
7, 11, 16, 19–25, 30–34, 36, 38, 40–42, 44–50, 52–58, 60–69, 85, 87, 92, 93, 100–105, 107–114, 116–124, 200–211, 248–255, 300–322, 324–328, 401–412, 600–603, 605, 608, 612, 616, 620, 622–624, 800, 802, 804, 807, 1096–1122	System Fault	<ol style="list-style-type: none"> 1. Wait for the inverter to return to normal. 2. Disconnect the AC and DC switches, and disconnect the battery side switches if there are batteries. Close the AC and DC switches in turn 15 minutes later and restart the system. 3. Contact Sungrow Customer Service if the preceding causes are ruled out and the fault persists.

Fault Code	Fault Name	Corrective Measures
59, 70–74, 76–83, 89, 216–218, 220–233, 432–434, 500–513, 515–518, 635–638, 900, 901, 910, 911, 996	System Alarm	<ol style="list-style-type: none"> 1. The inverter can continue running. 2. Check whether the related wiring and terminal are abnormal, check whether there are any foreign materials or other environmental abnormalities, and take corresponding corrective measures when necessary. 3. If the fault persists, please contact Sungrow Power Customer Service.
264-283	MPPT Reverse Connection	<ol style="list-style-type: none"> 1. Check whether the corresponding string is of reverse polarity. If so, disconnect the DC switch and adjust the polarity when the string current drops below 0.5 A. 2. Contact Sungrow Customer Service if the preceding causes are ruled out and the fault persists. <p>*The code 264 to code 279 are corresponding to string 1 to string 20 respectively.</p>
332-363	Boost Capacitor Overvoltage Alarm	<ol style="list-style-type: none"> 1. The inverter can continue running. 2. Check whether the related wiring and terminals are abnormal, check whether there are any foreign materials or other environmental abnormalities, and take corresponding corrective measures when necessary. <p>If the fault persists, please contact Sungrow Power Customer Service.</p>
364-395	Boost Capacitor Overvoltage Fault	<ol style="list-style-type: none"> 1. Disconnect the AC and DC switches, and disconnect the battery side switches if there are batteries. Close the AC and DC switches in turn 15 minutes later and restart the system. 2. If the fault persists, please contact Sungrow Power Customer Service.

Fault Code	Fault Name	Corrective Measures
1548-1579	String Current Reflex	<ol style="list-style-type: none"> 1. Check whether the number of PV modules of the corresponding string is less than other strings. If so, disconnect the DC switch and adjust the PV module configuration when the string current drops below 0.5 A. 2. Check whether the PV module is shaded; 3. Disconnect the DC switch to check whether the open circuit voltage is normal when the string current drops below 0.5 A. If so, check the wiring and configuration of the PV module, 4. Check whether the orientation of the PV module is abnormal.
1600 - 1615, 1632 - 1655	PV Grounding Fault	<ol style="list-style-type: none"> 1. When the fault occurs, it is forbidden to directly disconnect the DC switch and unplug PV terminals when the direct current is greater than 0.5 A; 2. Wait until the direct current of the inverter falls below 0.5 A, then disconnect the DC switch and unplug the faulty strings; 3. Do not reinsert the faulty strings before the grounding fault is cleared; 4. If the fault is not caused by the foregoing reasons and still exists, contact Sungrow Customer Service.
1616	System Hardware Fault	<ol style="list-style-type: none"> 1. It is prohibited to disconnect the DC switch when the DC current is greater than 0.5 A when the fault occurs. 2. Disconnect the DC switch only when the inverter DC side current drops below 0.5 A. 3. It is prohibited to power up the inverter again. Please contact Sungrow Customer Service.

Once a fault occurs to the optimizer, the fault information is displayed on the App.

Fault Code	Fault Name	Possible Cause	Corrective Method
4	Input overvoltage	The PV voltage is higher than the set protection value	Check whether the open-circuit voltage of the PV module connected to the optimizer exceeds the maximum input voltage allowed by the optimizer.

Fault Code	Fault Name	Possible Cause	Corrective Method
8	Output overvoltage	The output voltage exceeds the set limit value	<ol style="list-style-type: none"> 1. Check whether the alarm still exists after this alarm is cleared. 2. If the alarm persists, please contact Sungrow Customer Service.
16	Overcurrent	The input current exceeds the set limit value	<ol style="list-style-type: none"> 1. Check whether the alarm still exists after this alarm is cleared. 2. If the alarm persists, please contact Sungrow Customer Service.
32	Overtemperature	The operating temperature is too high	<ol style="list-style-type: none"> 1. Take measures to reduce the temperature, such as improving heat dissipation conditions. 2. Check whether the alarm still exists in the early morning or evening. 3. If the alarm still exists with correct settings, please contact Sungrow Customer Service.
128	Output current backfeed	The output current of the optimizer backfeeds	<ol style="list-style-type: none"> 1. If strings are connected in parallel, check whether the number of modules varies considerably between the two strings, or the module is severely shaded. 2. If the alarm persists, please contact Sungrow Customer Service.
512	Hardware fault	A hardware fault occurs to the optimizer	Please contact Sungrow Customer Service.
1024	Update failed	The optimizer software fails to upgrade	<ol style="list-style-type: none"> 1. Check the light condition, and update the optimizer again if the light is normal. 2. If the fault persists, please contact Sungrow Customer Service.



- If there is a string current backfeed fault, first check whether the optimizer is offline.
- Contact the dealer if the measures listed in the “Troubleshooting Method” column have been taken but the problem persists. Contact SUNGROW if the dealer fails to solve the problem.

9.2 Maintenance

9.2.1 Maintenance Notices

DANGER

Risk of inverter damage or personal injury due to incorrect service!

- Be sure to use special insulation tools when perform high-voltage operations.
- Before maintenance, disconnect the AC circuit breaker on the grid side and then the DC switch. If a fault that may cause personal injury or device damage is found before maintenance, disconnect the AC circuit breaker and wait until the night before operating the DC switch. Otherwise, a fire inside the product or an explosion may occur, causing personal injuries.
- Turn the DC switch from ON to OFF and continue to turn it 20 degrees counter-clockwise, the DC switch can be locked here. (For countries “AU” and “NZ”)
- After the inverter is powered off for 5 minutes, measure the voltage and current with professional instrument. Only when there is no voltage nor current can operators who wear protective equipment operate and maintain the inverter
- Even if the inverter is shut down, it may still be hot and cause burns. Wear protective gloves before operating the inverter after it cools down.

DANGER

When maintaining the product, it is strictly prohibited to open the product if there is an odor or smoke or if the product appearance is abnormal. If there is no odor, smoke, or obvious abnormal appearance, repair or restart the inverter according to the alarm corrective measures. Avoid standing directly in front of the inverter during maintenance.

CAUTION

To prevent misuse or accidents caused by unrelated personnel: Post prominent warning signs or demarcate safety warning areas around the inverter to prevent accidents caused by misuse.

NOTICE

Restart the inverter only after removing the fault that impairs safety performance. As the inverter contains no component parts that can be maintained, never open the enclosure, or replace any internal components.

To avoid the risk of electric shock, do not perform any other maintenance operations beyond this manual. If necessary, contact your distributor first. If the problem persists, contact SUNGROW. Otherwise, the losses caused is not covered by the warranty.

NOTICE

Touching the PCB or other static sensitive components may cause damage to the device.

- **Do not touch the circuit board unnecessarily.**
- **Observe the regulations to protect against electrostatic and wear an anti-static wrist strap.**

9.2.2 Routine Maintenance

Item	Method	Period
Device clean	Check whether the air outlet and heat sink are blocked by dust and other objects. Check if the air inlet and outlet are normal. Clean the air inlet and outlet, if necessary.	Six months to a year (depend on the dust contents in air)
Fans	Check whether there is a fan alarm on the App. Check whether there is any abnormal noise when the fan is rotating. Clean or replace the fans if necessary (see the following section).	Once a year
Cable entry	Check whether the cable entry is insufficiently sealed or the gap is excessively large, and reseal the entry when necessary.	Once a year

Item	Method	Period
Electrical connection	<p>Check whether cables are loose or fall off.</p> <p>Check whether the cable is damaged, especially the part in contact with the metal enclosure.</p>	Six months to a year

9.2.3 Cleaning Air Inlet and Outlet

A significant amount of heat is generated when the inverter is working.

In order to maintain good ventilation, please check to make sure the air inlet and outlet are not blocked.

Clean the air inlet and outlet with soft brush or vacuum cleaner if necessary.

9.2.4 Fan Maintenance

DANGER

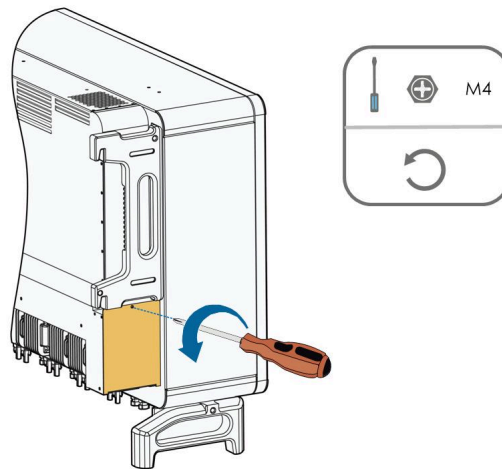
- **Power off the inverter and disconnect it from all power supplies before maintaining fans.**
- **After the inverter is powered off for 5 minutes, measure the voltage and current with professional instrument. Only when there is no voltage nor current can operators who wear protective equipment operate and maintain the inverter.**
- **Fan maintenance must be performed by professionals.**

Fans inside the inverter are used to cool the inverter during operation. If the fans do not operate normally, the inverter may not be cooled down and inverter efficiency may decrease. Therefore, it is necessary to clean dirty fans and replace the broken fans in a timely manner.

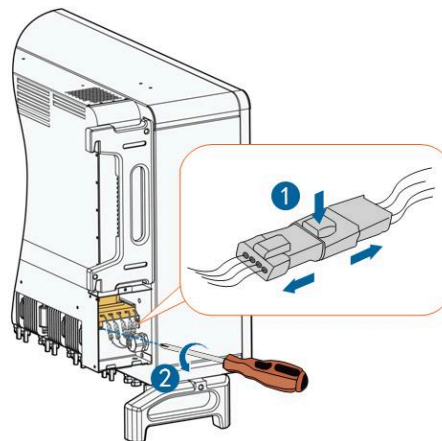
The operation procedure is as follows:

step 1 Stop the inverter (see 8.1 Disconnecting the Inverter).

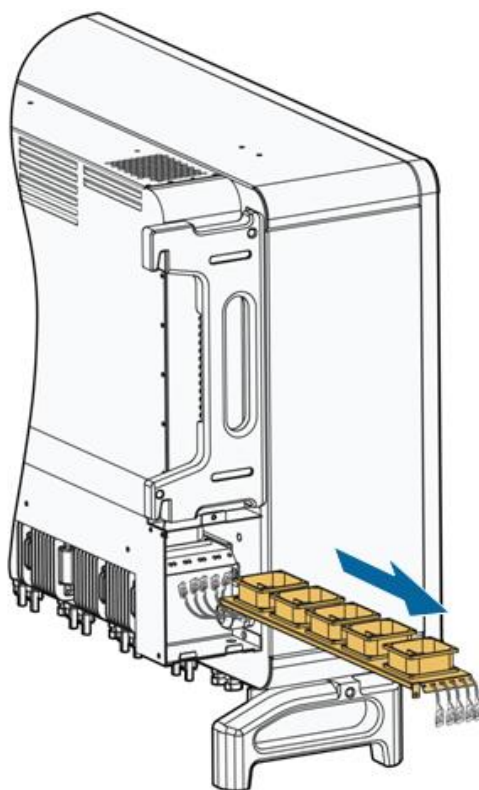
step 2 Loosen the screw on the sealing plate of the fan module.



step 3 Press the tab of the latch hook, unplug the cable connection joint outwards, and loosen the screw on the fan holder.



step 4 Pull out the fan module, clean the fans with soft brush or vacuum cleaner, and replace them when necessary.



step 5 Reinstall the fan back to the inverter in reverse order and restart the inverter.

-- End

10 Appendix

10.1 Technical Data

Parameters	SG110CX	SG110CX-20
Input (DC)		
Max. PV input voltage	1100 V ⁽¹⁾	
Min. PV input voltage/Start-up input voltage	200 V / 250 V	
Nominal input voltage	585 V	
MPP voltage range	200 V ~ 1000 V	
MPP voltage range for rated power	550 V ~ 850 V ⁽²⁾	
No. of independent MPP inputs	9	
No. of PV strings per MPPT	2	
Max. PV input current	26 A × 9	27 A × 9
Max. DC short-circuit current	40 A × 9	
Output (AC)		
AC output power	110 kVA @ 45 °C / 100 kVA @ 50 °C	
Max. AC output current	158.8 A	
Nominal AC voltage	3 / N / PE , 400 V	
AC voltage range	320 V ~ 460 V	
Nominal grid frequency / Grid frequency range	50 Hz / 45 – 55 Hz 60 Hz / 55 – 65 Hz	
Harmonic (THD)	< 3 % (at nominal power)	
Power factor at nominal power / Adjustable power factor	>0.99 / 0.8 leading – 0.8 lagging	
Feed-in phases / AC connection	3 / 3–PE	

Parameters	SG110CX	SG110CX-20
Efficiency		
Max. efficiency / European efficiency	98.7% / 98.5%	
Protection and Function		
DC reverse polarity protection	Yes	
AC short circuit protection	Yes	
Leakage current protection	Yes	
Grid monitoring	Yes	
Ground fault monitoring	Yes	
DC switch	Yes	
AC switch	No	
PV string monitoring	Yes	
Q at night function	Yes	
PID recovery function	Yes	
Arc fault circuit interrupter (AFCI)	Optional	Yes
Surge protection	DC Type II (optional: Type I + II) / AC Type II	DC Type I + II / AC Type II
Protective Class	I	
Overvoltage Category	DC II/AC III	
Active Anti-Islanding Method	Frequency Shift	
General Data		
Dimensions (W×H×D)	1051 × 660 × 362.5 mm	
Weight	89 kg	
Topology	Transformerless	
Ingress protection rating	IP66	
Night power consumption	< 2 W	
Operating ambient temperature range	-30 ~ 60 °C (> 50 °C derating)	

Parameters	SG110CX	SG110CX-20
Allowable relative humidity range	0 ~ 100%	
Cooling method	Smart forced air cooling	
Max. operating altitude	4000 m (> 3000 m derating)	
Display	LED, Bluetooth + APP	
Communication	RS485/ Optional: WLAN, Ethernet	
DC connection type	MC4 (Max. 6 mm ²)	
AC connection type	OT or DT terminal (Max.240 mm ²)	
Compliance	IEC 62109, IEC 61727, IEC 62116, IEC 60068, IEC 61683, IEC 61000-6-3	
Grid Support	Q at night function, LVRT, HVRT, active & reactive power control and power ramp rate control	
EMC ⁽⁶⁾	EN 55011:2016/A1:2017/A11:2020/A2:2021, Group 1, class A	

Note(1): The inverter enters the standby state when the input voltage ranges between 1,000V and 1,100V. If the maximum DC voltage in the system can exceed 1000V, the MC4 connectors included in the scope of delivery must not be used. In this case MC4 Evo2 connectors must be used.

Note(2):The voltage difference between MPPTs should be less than 80 V. The voltage of the configured string should be higher than the lower limit of the rated MPPT voltage.

Note(6):This standard is applicable only to the European region.

Parameters	SG110CX ⁽³⁾	SG110CX-NI ⁽³⁾
Input (DC)		
Recommended max. PV input power	147 kW	
Max. PV input voltage	1100 V ⁽⁴⁾	
Min.PV input voltage/Start-up input voltage	200 V / 250 V	
Nominal input voltage	585 V	
MPP voltage range	200 V ~ 1000 V	
MPP voltage range for rated power	550 V ~ 850 V ⁽⁵⁾	
No. of independent MPP inputs	9	

Parameters	SG110CX ⁽³⁾	SG110CX-NI ⁽³⁾
No. of PV strings per MPPT	2	
Max. PV input current	234 A (26 A / 26 A / 26 A / 26 A / 26 A / 26 A / 26 A / 26 A / 26 A)	
Max. DC short-circuit current	360 A (40 A / 40 A / 40 A / 40 A / 40 A / 40 A / 40 A / 40 A / 40 A)	
Output (AC)		
Max. AC Output power	110 kVA	
Rated AC output apparent power	110 kVA	
Max. AC output current	158.8 A	
Nominal AC voltage	3 / N / PE , 400 V	
AC voltage range	320 V ~ 460 V	
Nominal grid frequency / Grid frequency range	50 Hz / 45 – 55 Hz 60 Hz / 55 – 65 Hz	
Harmonic (THD)	< 3 % (at rated power)	
Power factor at nominal power / Adjustable power factor	>0.99 / 0.8 leading – 0.8 lagging	
Feed-in phases / AC connection	3 / 3-PE	
Efficiency		
Max. efficiency / European efficiency	98.7% / 98.5%	
Protection and Function		
DC reverse polarity protection	Yes	
AC short circuit protection	Yes	
Leakage current protection	Yes	
Grid monitoring	Yes	
Ground fault monitoring	Yes	
DC switch	Yes	No

Parameters	SG110CX ⁽³⁾	SG110CX-NI ⁽³⁾
AC switch		No
PV string monitoring		Yes
Q at night function		Yes
PID recovery function		Yes
DC terminal protective cover		Yes
Communication dongle (EyeM4)		Yes
Surge protection	DC Type II / AC Type II	
Protective Class	I	
Overvoltage Category	DC II/AC III	
Active Anti-Islanding Method	Frequency Shift	
General Data		
Dimensions (W*H*D)	1051 * 660 * 362.5 mm	
Weight	89 kg	
Topology	Transformerless	
Ingress protection rating	IP66	
Night power consumption	< 2 W	
Operating ambient temperature range	-30 ~ 60 °C (> 50 °C derating)	
Allowable relative humidity range	0 ~ 100%	
Cooling method	Smart forced air cooling	
Max. operating altitude	4000 m (> 3000 m derating)	
Display	LED, Bluetooth + APP	
Communication	RS485/ Optional: WLAN, Ethernet	
DC connection type	MC4 (Max. 6 mm ²)	
AC connection type	OT or DT terminal (Max.240 mm ²)	
Grid Support	Q at night function, LVRT, HVRT, active & reactive power control and power ramp rate control	
Country of manufacture	China	

Note(3):For Australia.

Note(4):The inverter enters the standby state when the input voltage ranges between 1,000V and 1,100V. If the maximum DC voltage in the system can exceed 1000V, the MC4 connectors included in the scope of delivery must not be used. In this case MC4 Evo2 connectors must be used.

Note(5):The voltage difference between MPPTs should be less than 80 V. The voltage of the configured string should be higher than the lower limit of the rated MPPT voltage.

10.2 Wiring Distance of DI Dry Contact

The wiring distance between DI dry contact terminals must meet the requirements in the table below. The wiring distance L is the total length of all DI signal cables.

$$L = 2 \sum_{k=1}^n L_k$$

L_k refers to the cable length in one direction between the DI dry contact terminal of the k^{th} inverter and the corresponding terminal of the $(k-1)^{\text{th}}$ inverter.

table 10-1 Correspondence Between Inverter Quantity and Maximum Wiring Distance

Number of In- verter	Maximum Wiring Distance(unit:m)	
	16AWG / 1.31mm ²	17AWG / 1.026mm ²
1	13030	10552
2	6515	5276
3	4343	3517
4	3258	2638
5	2606	2110
6	2172	1759
7	1861	1507
8	1629	1319
9	1448	1172
10	1303	1055
11	1185	959
12	1086	879
13	1002	812
14	931	754
15	869	703
16	814	660

Number of In- verter	Maximum Wiring Distance(unit:m)	
	16AWG / 1.31mm ²	17AWG / 1.026mm ²
17	766	621
18	724	586
19	686	555
20	652	528
21	620	502
22	592	480
23	567	459
24	543	440
25	521	422

NOTICE

In case the specification of the cable used is not included in the table above, when there is only one inverter, ensure that the line impedance of the input node is less than 300Ω; and when there are multiple inverters connected in the daisy chain, ensure that the impedance is less than 300Ω/number of inverter.

10.3 Quality Assurance

When product faults occur during the warranty period, SUNGROW will provide free service or replace the product with a new one.

Evidence

During the warranty period, the customer shall provide the product purchase invoice and date. In addition, the trademark on the product shall be undamaged and legible. Otherwise, SUNGROW has the right to refuse to honor the quality guarantee.

Conditions

- After replacement, unqualified products shall be processed by SUNGROW.
- The customer shall give SUNGROW a reasonable period to repair the faulty device.

Exclusion of Liability

In the following circumstances, SUNGROW has the right to refuse to honor the quality guarantee:

- The free warranty period for the whole machine/components has expired.
- The device is damaged during transport.
- The device is incorrectly installed, refitted, or used.

- The device operates in harsh conditions beyond those described in this manual.
- The fault or damage is caused by installation, repairs, modification, or disassembly performed by a service provider or personnel not from SUNGROW.
- The fault or damage is caused by the use of non-standard or non-SUNGROW components or software.
- The installation and use range are beyond stipulations of relevant international standards.
- The damage is caused by unexpected natural factors.

For faulty products in any of above cases, if the customer requests maintenance, paid maintenance service may be provided based on the judgment of SUNGROW.

10.4 Declaration of Conformity

The product is intended for use in industrial environments.

The product must only be accessible to qualified persons.

The product complies with EN 55011 of class A, group 1:

- d.c. power port: $> 20\text{kVA}$ to $\leq 75\text{kVA}$
- Electromagnetic radiation disturbance: $> 20\text{kVA}$

In accordance with EN 55011, the product must only be operated at locations where the distance between the product and third-party radio-communication installations is greater than 30 m.

The product is not intended to be used in living areas and cannot provide protection of radio reception against interference signals in such environments.

The product is suitable for indoor and outdoor use.

The product must not be operated with PV modules whose outputs are grounded. This can cause the product to be destroyed. The product may be operated with PV modules whose frame is grounded.

All components must remain within their permitted operating ranges and their installation requirements at all times.



The above Declaration of Conformity applies to SG110CX only.

10.5 Contact Information

In case of questions about this product, please contact us.

We need the following information to provide you the best assistance:

- Model of the device
- Serial number of the device

- Fault code/name
- Brief description of the problem

For detailed contact information, please visit: <https://en.sungrowpower.com/contactUS>

SUNGROW

Sungrow Power Supply Co., Ltd.
www.sungrowpower.com